





Marine & Offshore Interior Systems

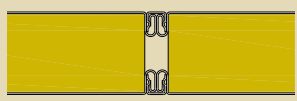


**WALL PANELS**

[www.sasgp.com](http://www.sasgp.com)


**Type A wall panel ( Insert Type )**

Section	Model	Thickness	Fire class	Core material	RW(dB)	Remark	Pages
	B50A	50mm	B-15	Rock wool	35		
	B30A	30mm	B-15/B-0	Rock wool	35		
	B25A	25mm	B-15/B-0	Rock wool	32		
	B25AXY	25mm	B-0	Rock wool		Noise reduction panel	
	B25A	25mm	B-0	Aluminum honeycomb	32		
	B50AD	50mm	B-15	Rock wool	37	Cable panel	
	B50AGd	50mm	B-15	Rock wool	40	High sound reduction panel	
	B50AGa	50mm	B-15	Rock wool	40	High sound reduction panel	
	B50AGe	50mm	B-15	Rock wool	47	High sound reduction panel	
	B25A+ B25A	≥75mm	B-15	Rock wool	45~49		

**Type C wall panel ( Clip type )**

Section	Model	Thickness	Fire class	Core material	RW(dB)	Remark	Pages
	B100C	100mm	A-60	Rock wool	32		
	B50C	50mm	B-15	Rock wool	35		
	B30C	30mm	B-15	Rock wool			
	B25C	25mm	B-0	Rock wool			
	B25C	25mm	B-0	Aluminum honeycomb			
	SB25C	≥75mm	B-15	Rock wool	45~47		
	SB25CXY	≥75mm	B-15	Rock wool	48~49		
	B50CD	50mm	B-15	Rock wool	36	Cable panel	
	B50CGd	50mm	B-15	Rock wool	41	High sound reduction panel	
	B50CGa	50mm	B-15	Rock wool	41	High sound reduction panel	
	B50CGe	50mm	B-15	Rock wool	46	High sound reduction panel	

Type M wall panel

Section	Model	Thickness	Fire class	Core material	RW	Remark	Pages
	B50M	50mm	B-15	Rock wool	35		
	B25M	25mm	B-0	Rock wool	33		
	B50MD	50mm	B-15	Rock wool	37	Cable panel	
	B50MGa	50mm	B-15	Rock wool	40	High sound reduction panel	

➤ B50A, B30A, B25A, B25AXY

⏪ B50A, B30A, B25A, B25AXY



Type	B50A	B30A	B25A	B25AXY
Fire class	B-15	B-15	B-15/B-0	B-0
Weight	16.3kg/m <sup>2</sup>	13.7kg/m <sup>2</sup>	13.0kg/m <sup>2</sup>	12.5kg/m <sup>2</sup>
Sound reduction	35dB	35dB	33dB	
Thermal transmittance	0.58Kcal/m <sup>2</sup> h°C	1.10Kcal/m <sup>2</sup> h°C	1.14Kcal/m <sup>2</sup> h°C	1.14Kcal/m <sup>2</sup> h°C
Core material	Rock wool 120kg/m <sup>3</sup>	Rock wool 150kg/m <sup>3</sup>	Rock wool 120kg/m <sup>3</sup>	Rock wool 120kg/m <sup>3</sup>
Surface finish	PVC film(150μ,low flame spread) or galvanized steel			
Dimension	50/30/25/25mm ( t ) ×550mm ( w ) ×length ( max.3500mm )			
Tolerances	Thickness <sup>0</sup> ,×Width <sup>0</sup> ,×Length±3			

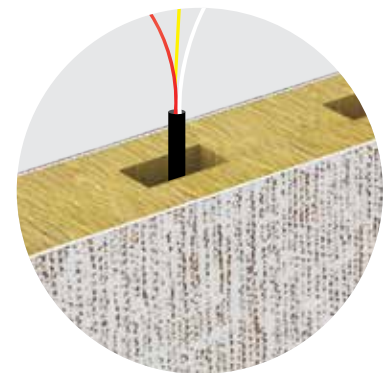
**B25A**



Type	B25A
Fire class	B-0
Weight	10.0kg/m <sup>2</sup>
Sound reduction	--dB
Thermal transmittance	3.35Kcal/m <sup>2</sup> h°C
Core material	Aluminum honeycomb
Surface finish	PVC film(150μ,low flame spread) or galvanized steel
Dimension	25mm ( t ) ×550mm ( w ) ×length ( max.3500mm )
Tolerances	Thickness <sup>0</sup> <sub>-1</sub> ×Width <sup>0</sup> <sub>-1</sub> ×Length±3

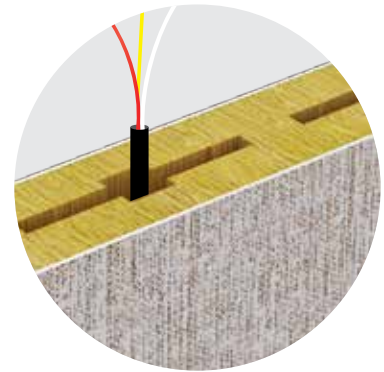


B50AD



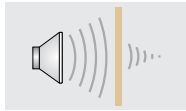
Type	B50AD
Fire class	B-15
Weight	15.3kg/m <sup>2</sup>
Sound reduction	37dB
Thermal transmittance	0.55Kcal/m <sup>2</sup> h°C
Core material	Rock wool 120kg/m <sup>3</sup>
Surface finish	PVC film(150μ,low flame spread) or galvanized steel
Dimension	50mm ( t ) ×550mm ( w ) ×length ( max.3500mm )
Tolerances	Thickness <sup>0</sup> ,×Width <sup>0</sup> ,×Length±3

**B50AGd**



Type	B50AGd
Fire class	B-15
Weight	15.7kg/m <sup>2</sup>
Sound reduction	40dB
Thermal transmittance	0.58Kcal/m <sup>2</sup> h°C
Core material	Rock wool 120kg/m <sup>3</sup>
Surface finish	PVC film(150μ,low flame spread) or galvanized steel
Dimension	50mm ( t ) ×550mm ( w ) ×length ( max.3500mm )
Tolerances	Thickness <sup>0</sup> ,×Width <sup>0</sup> ,×Length±3

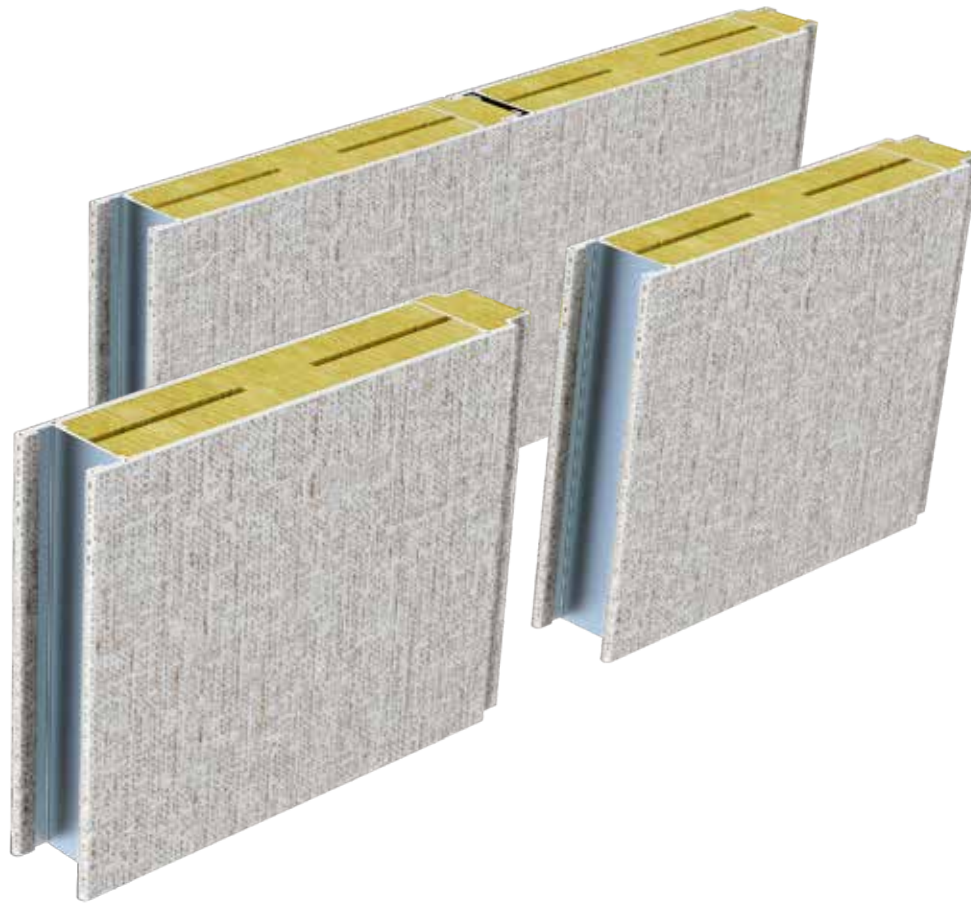
**B50AGa**



Type	B50AGa
Fire class	B-15
Weight	17.5kg/m <sup>2</sup>
Sound reduction	41dB
Thermal transmittance	0.58Kcal/m <sup>2</sup> h°C
Core material	Rock wool 120kg/m <sup>3</sup>
Surface finish	PVC film(150μ,low flame spread) or galvanized steel
Dimension	50mm ( t ) ×550mm ( w ) ×length ( max.3500mm )
Tolerances	Thickness <sup>0</sup> <sub>-1</sub> ×Width <sup>0</sup> <sub>-1</sub> ×Length±3



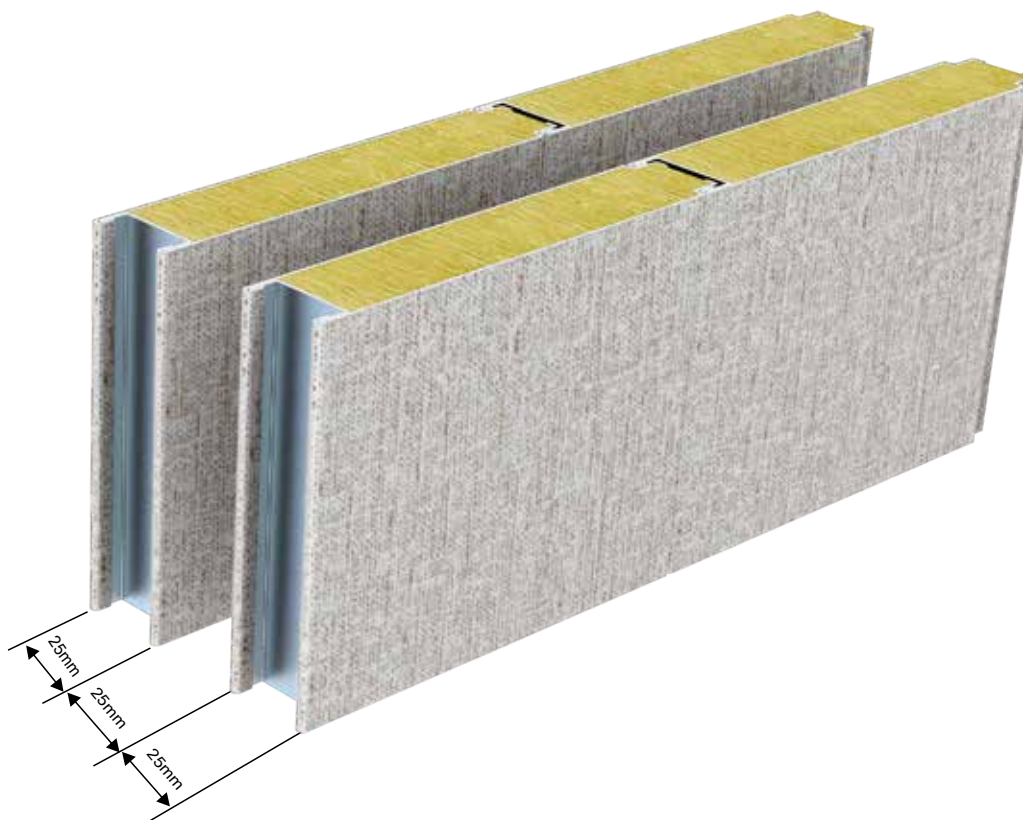
**B50AGe**



Type	B50AGe
Fire class	B-15
Weight	29.3kg/m <sup>2</sup>
Sound reduction	47dB
Thermal transmittance	0.58Kcal/m <sup>2</sup> h°C
Core material	Rock wool 120kg/m <sup>3</sup>
Surface finish	PVC film(150μ,low flame spread) or galvanized steel
Dimension	50mm ( t ) ×550mm ( w ) ×length ( max.3500mm )
Tolerances	Thickness <sup>0</sup> ,×Width <sup>0</sup> ,×Length±3



B25A+B25A



Type	B25A+B25A
Fire class	B-15
Weight	26.0kg/m <sup>2</sup>
Sound reduction	45~49dB
Thermal transmittance	0.58Kcal/m <sup>2</sup> h°C
Core material	Rock wool 150kg/m <sup>3</sup>
Surface finish	PVC film(150μ, low flame spread) or galvanized steel
Dimension	≥70mm( t )×550mm( w )×length (max.3500mm)
Tolerances	Thickness <sup>0</sup> ,×Width <sup>0</sup> ,×Length±3



B100C, B50C, B30C



Type	B100C	B50C	B30C
Fire class	A-60	B-15	B-15
Weight	24.5kg/m <sup>2</sup>	15.7kg/m <sup>2</sup>	14.2kg/m <sup>2</sup>
Sound reduction	32dB	35dB	34dB
Thermal transmittance	0.33Kcal/m <sup>2</sup> h°C	0.58Kcal/m <sup>2</sup> h°C	0.93Kcal/m <sup>2</sup> h°C
Core material	Rock wool 150kg/m <sup>3</sup>	Rock wool 120kg/m <sup>3</sup>	Rock wool 150kg/m <sup>3</sup>
Surface finish	PVC film(150μ,low flame spread) or galvanized steel		
Dimension	30/50/100mm ( t ) ×550mm ( w ) ×length ( max.3500mm )		
Tolerances	Thickness <sup>0</sup> <sub>,-1</sub> ×Width <sup>0</sup> <sub>,-1</sub> ×Length±3		

**B25C**



◀ B25C

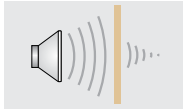


B25C ▶

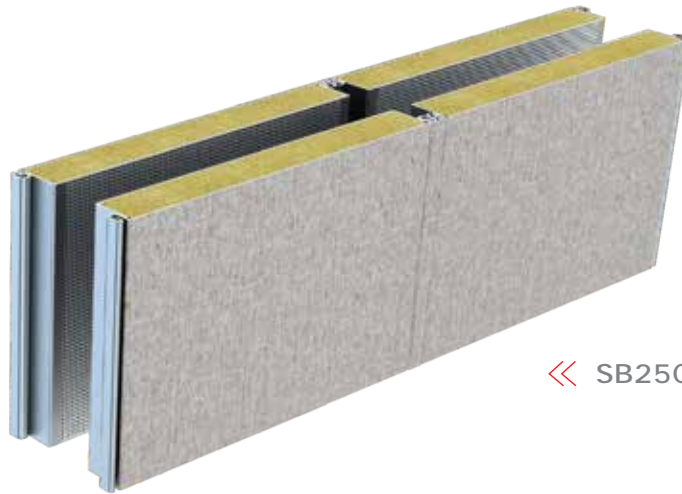
Type	B25C	B25C
Fire class	B-0	B-0
Weight	13.3kg/m <sup>2</sup>	10.0kg/m <sup>2</sup>
Sound reduction	32dB	--dB
Thermal transmittance	1.06Kcal/m <sup>2</sup> h°C	3.35Kcal/m <sup>2</sup> h°C
Core material	Rock wool 150kg/m <sup>3</sup>	Aluminum honeycomb
Surface finish	PVC film(150μ,low flame spread) or galvanized steel	
Dimension	25mm ( t ) ×550mm ( w ) ×length ( max.3500mm )	
Tolerances	Thickness <sup>0</sup> ,×Width <sup>0</sup> ,×Length±3	



SB25C, SB25CXY



◀◀ SB25C



◀◀ SB25CXY

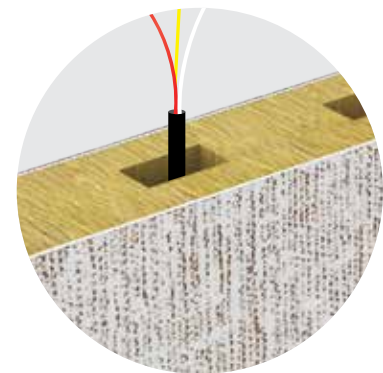


25 ± 25 25

Type	SB25C	SB25CXY
Fire class	B-15/B-30	B-15
Weight	26.6kg/m <sup>2</sup>	26.0kg/m <sup>2</sup>
Sound reduction	45dB~47dB	48dB~49dB
Thermal transmittance	0.48Kcal/m <sup>2</sup> h°C	0.48Kcal/m <sup>2</sup> h°C
Core material	Rock wool 150kg/m <sup>3</sup>	Rock wool 120kg/m <sup>3</sup>
Surface finish	PVC film(150μ,low flame spread) or galvanized steel	
Dimension	≥70mm ( t ) ×550mm ( w ) ×length ( max.3500mm )	
Tolerances	Thickness <sup>0</sup> <sub>,-1</sub> ×Width <sup>0</sup> <sub>,-1</sub> ×Length±3	

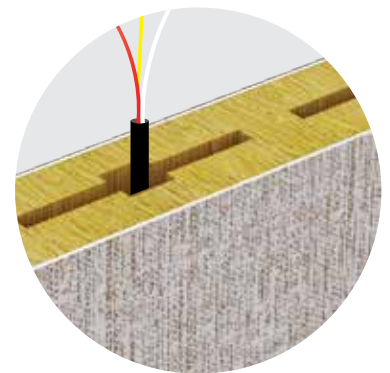
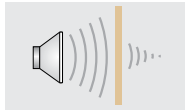


B50CD



Type	B50CD
Fire class	B-15
Weight	16.2kg/m <sup>2</sup>
Sound reduction	36dB
Thermal transmittance	0.55Kcal/m <sup>2</sup> h°C
Core material	Rock wool 150kg/m <sup>3</sup>
Surface finish	PVC film(150μ,low flame spread) or galvanized steel
Dimension	50mm ( t ) ×550mm ( w ) ×length ( max.3500mm )
Tolerances	Thickness <sup>0</sup> ,×Width <sup>0</sup> ,×Length±3

 B50CGd



Type	B50CGd
Fire class	B-15
Weight	16.6kg/m <sup>2</sup>
Sound reduction	40dB
Thermal transmittance	0.55Kcal/m <sup>2</sup> h°C
Core material	Rock wool 150kg/m <sup>3</sup>
Surface finish	PVC film(150μ,low flame spread) or galvanized steel
Dimension	50mm ( t ) ×550mm ( w ) ×length ( max.3500mm )
Tolerances	Thickness <sup>0</sup> <sub>,-1</sub> ×Width <sup>0</sup> <sub>,-1</sub> ×Length±3



B50CGa



Type	B50CGa
Fire class	B-15
Weight	17.9kg/m <sup>2</sup>
Sound reduction	41dB
Thermal transmittance	0.55Kcal/m <sup>2</sup> h°C
Core material	Rock wool 150kg/m <sup>3</sup>
Surface finish	PVC film(150μ,low flame spread) or galvanized steel
Dimension	50mm ( t ) ×550mm ( w ) ×length ( max.3500mm )
Tolerances	Thickness <sup>0</sup> ,×Width <sup>0</sup> ,×Length±3

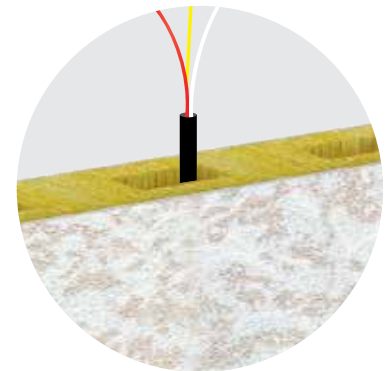
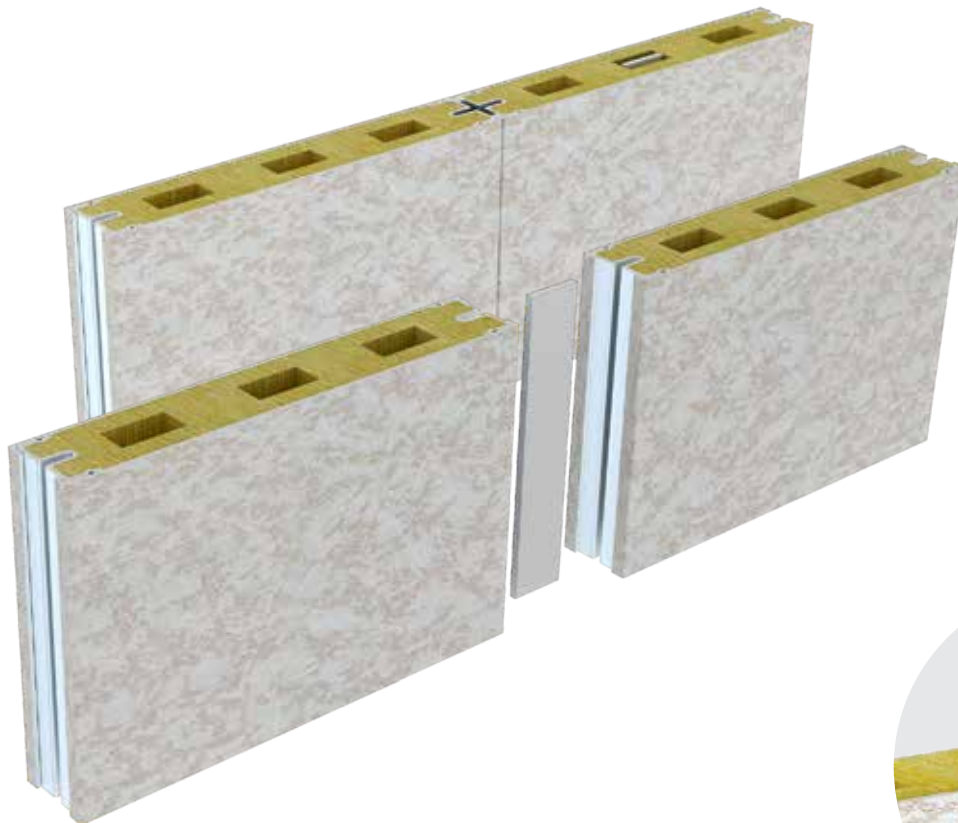


➤ B50CGe



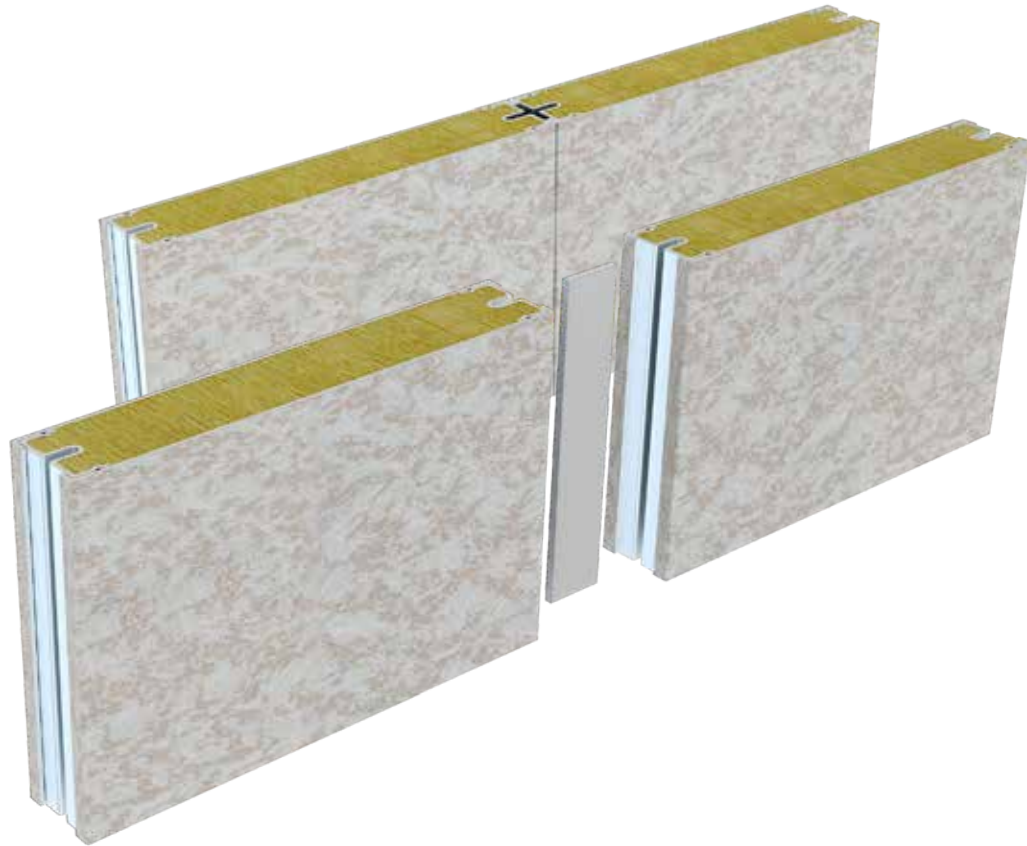
Type	B50CGe
Fire class	B-15
Weight	28.4kg/m <sup>2</sup>
Sound reduction	46dB
Thermal transmittance	0.55Kcal/m <sup>2</sup> h°C
Core material	Rock wool 120kg/m <sup>3</sup>
Surface finish	PVC film(150μ,low flame spread) or galvanized steel
Dimension	50mm ( t ) ×550mm ( w ) ×length ( max.3500mm )
Tolerances	Thickness <sup>0</sup> ,×Width <sup>0</sup> ,×Length±3

**B50MD**



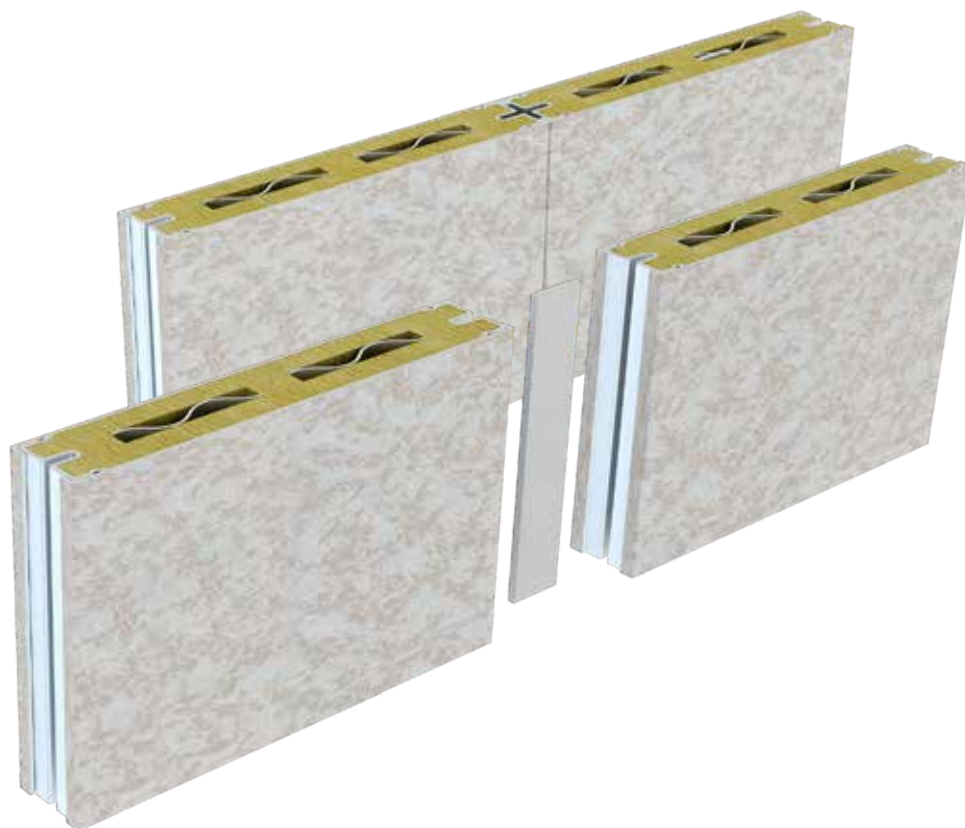
Type	B50MD
Fire class	B-15
Weight	15.49kg/m <sup>2</sup>
Sound reduction	37dB
Thermal transmittance	0.55Kcal/m <sup>2</sup> h°C
Core material	Rock wool 120kg/m <sup>3</sup>
Surface finish	PVC film(150μ, low flame spread) or galvanized steel
Dimension	50mm ( t ) ×550mm ( w ) ×length ( max.3500mm )
Tolerances	Thickness <sup>0</sup> , <sub>-1</sub> ×Width <sup>0</sup> , <sub>-1</sub> ×Length±3

**B25M/B50M**



Type	B25M	B50M
Fire class	B-0	B-15
Weight	13.14kg/m <sup>2</sup>	16.44kg/m <sup>2</sup>
Sound reduction	33dB	35dB
Thermal transmittance	0.55Kcal/m <sup>2</sup> h°C	0.55Kcal/m <sup>2</sup> h°C
Core material	Rock wool 120kg/m <sup>3</sup>	Rock wool 120kg/m <sup>3</sup>
Surface finish	PVC film(150μ,low flame spread) or galvanized steel	PVC film(150μ,low flame spread) or galvanized steel
Dimension	50mm ( t ) ×550mm ( w ) ×length ( max.3500mm )	50mm ( t ) ×550mm ( w ) ×length ( max.3500mm )
Tolerances	Thickness <sup>0</sup> ,×Width <sup>0</sup> ,×Length±3	Thickness <sup>0</sup> ,×Width <sup>0</sup> ,×Length±3

**B50MGa**



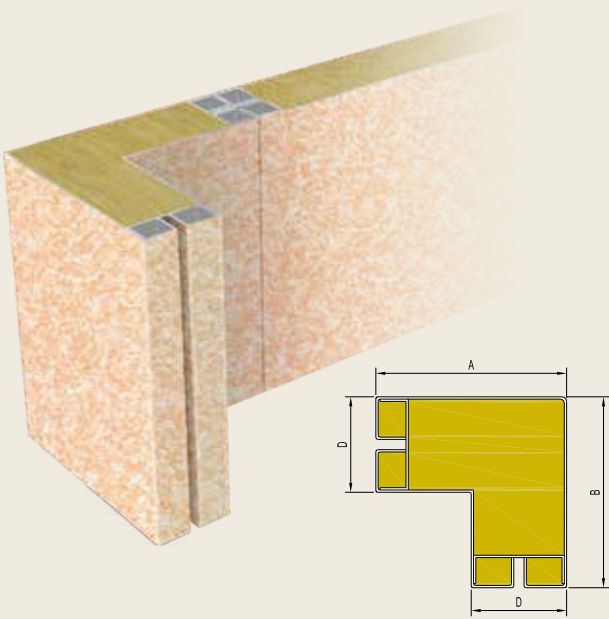
Type	B50MGa
Fire class	B-15
Weight	16.97kg/m <sup>2</sup>
Sound reduction	40dB
Thermal transmittance	0.55Kcal/m <sup>2</sup> h°C
Core material	Rock wool 120kg/m <sup>3</sup>
Surface finish	PVC film(150μ,low flame spread) or galvanized steel
Dimension	50mm ( t ) ×550mm ( w ) ×length ( max.3500mm )
Tolerances	Thickness <sup>0</sup> ,×Width <sup>0</sup> ,×Length±3



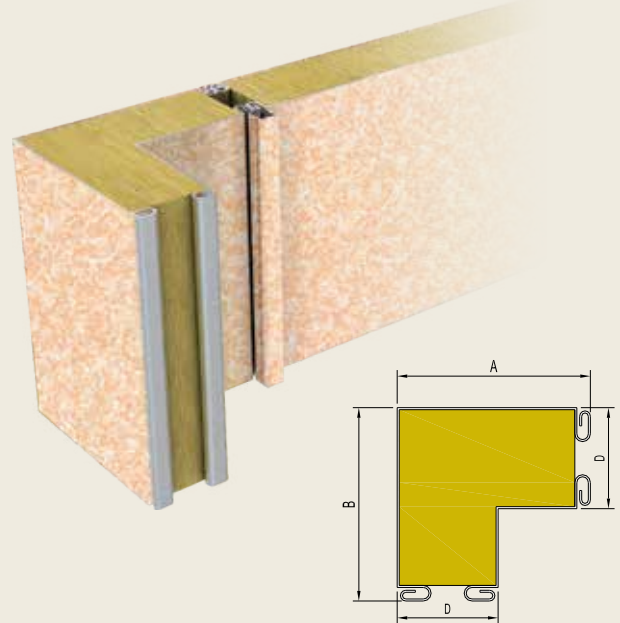
External corner



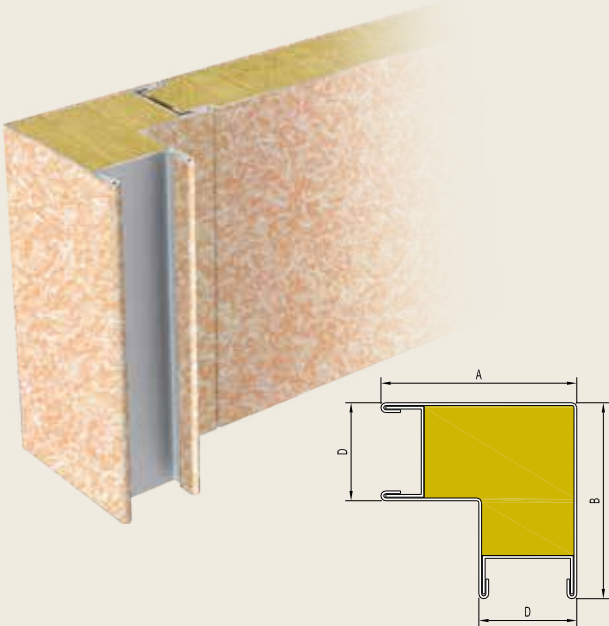
Type M External Corner



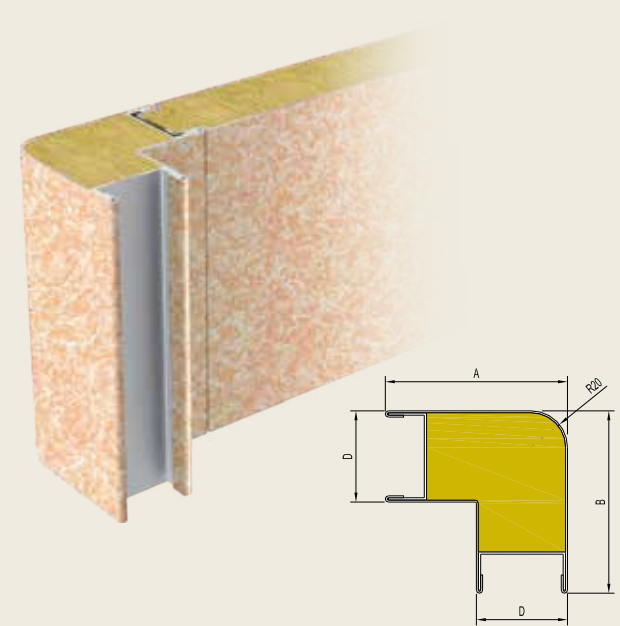
Type C External Corner



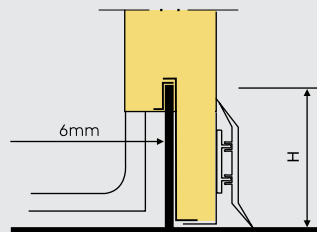
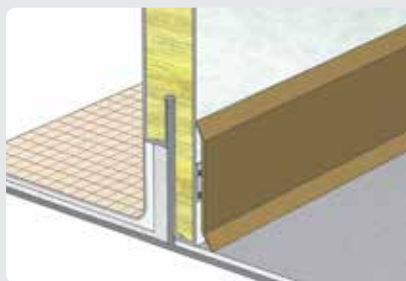
Type A External Corner



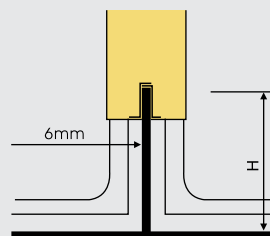
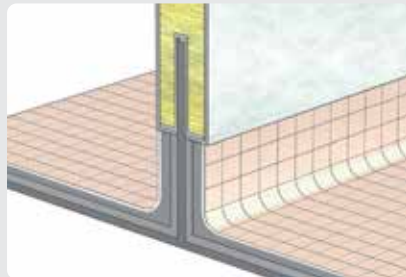
Type A External Round Corner



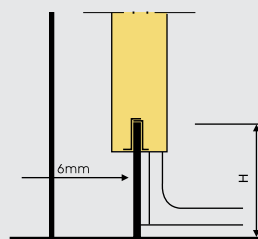
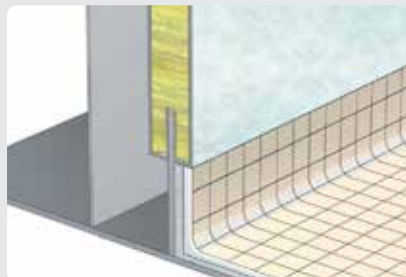
Wet Room Panel



50mm thick Panels for Division Bulkhead Between Wet Room and Dry Room

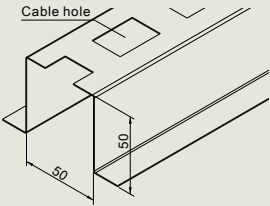
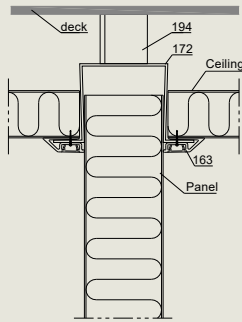
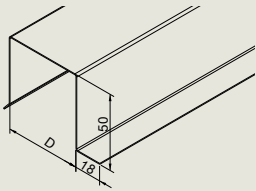
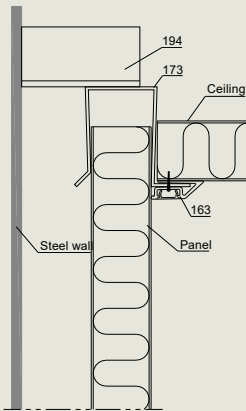
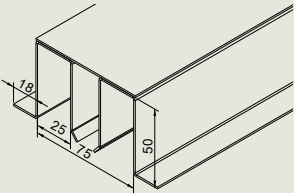
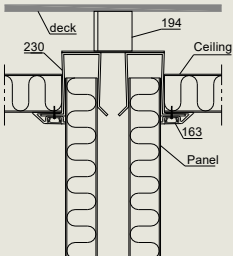
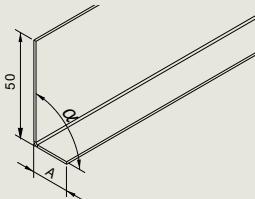
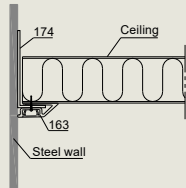
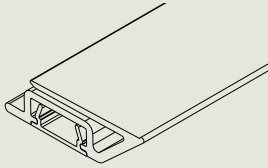
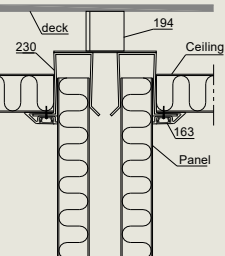
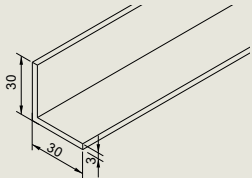
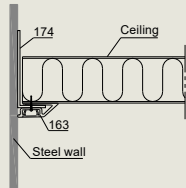


50mm thick Panels for Division Bulkhead Between Wet Rooms

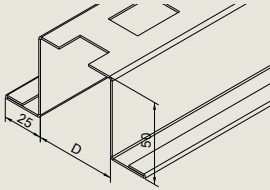
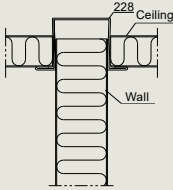
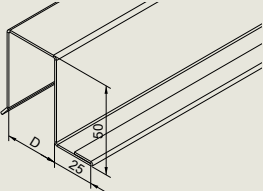
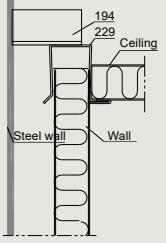
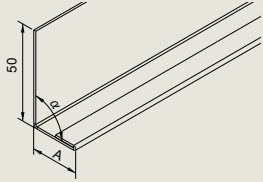
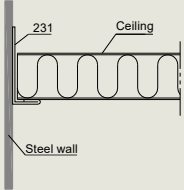
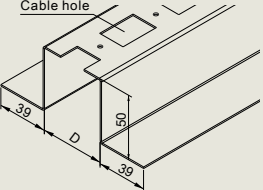
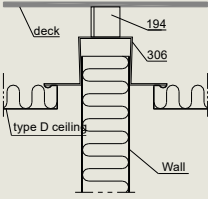
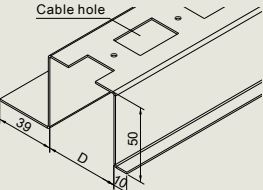
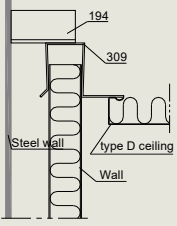
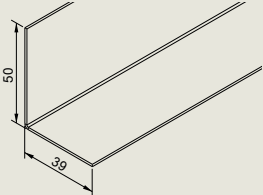
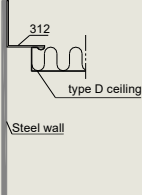


30mm thick Panels for Lining Bulkhead Between the Steel Wall and Wet Room

Profile List

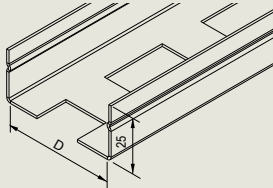
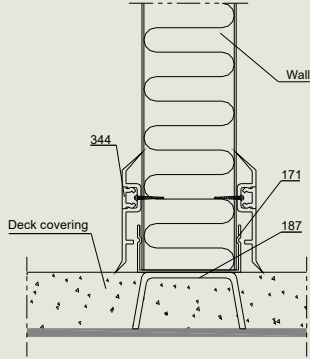
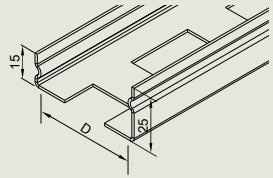
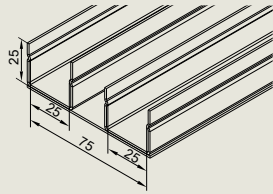
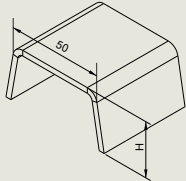
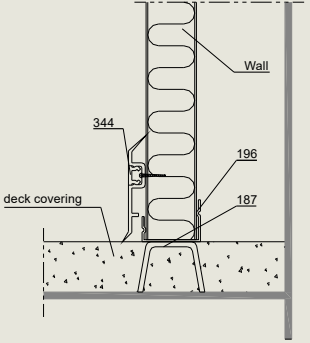
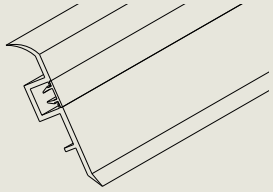
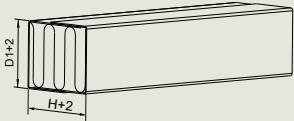
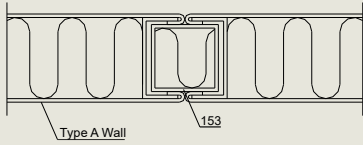
No.	Shape	Parameter	Assembly
172		t=1.2mm L=3000mm 1.75kg/m Galvanized Steel	
173		t=1.2mm L=3000mm D=50 1.58kg/m D=30 1.39kg/m D=25 1.35kg/m Galvanized Steel	
230		t=1.2mm L=3000mm 2.83kg/m Galvanized Steel	
174		t=1.2mm L=3000mm A=18 0.64kg/m Galvanized Steel	
163		L=4000mm PVC	
194		L30X30X3 0.59kg/m Angle Steel	

Profile List

No.	Shape	Parameter	Assembly
228		t=1.2mm L=3000mm 1.98kg/m PVC Coated Steel	
229		t=1.2mm L=3000mm D=50 1.72kg/m D=30 1.53kg/m D=25 1.48kg/m PVC Coated Steel	
231		t=1.2mm L=3000mm 0.80kg/m PVC Coated Steel	
306		t=1.0mm L=3000mm D=50 1.65kg/m D=30 1.49kg/m D=25 1.45kg/m PVC Coated Steel	
309		t=1.0mm L=3000mm D=50 1.41kg/m D=30 1.26kg/m D=25 1.21kg/m PVC Coated Steel	
312		t=1.0mm L=3000mm 0.7kg/m PVC Coated Steel	



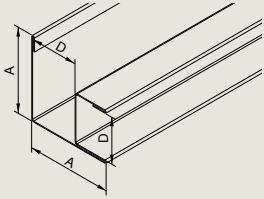
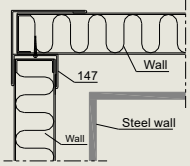
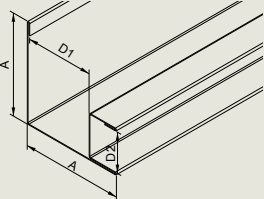
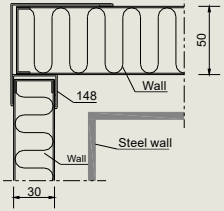
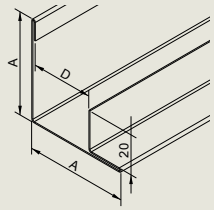
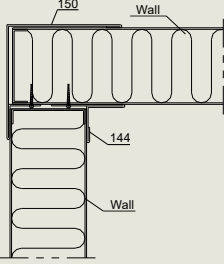
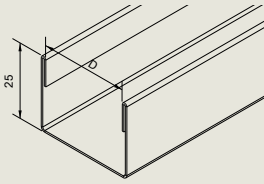
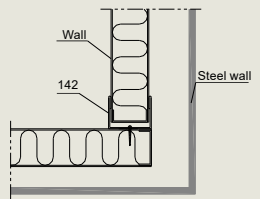
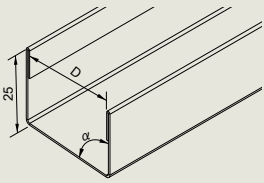
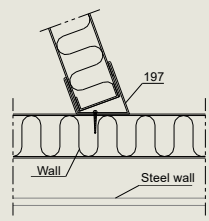
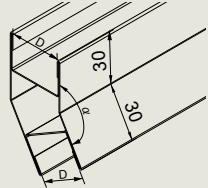
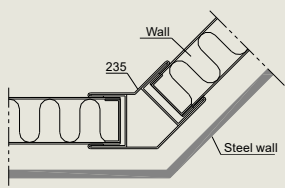
**Profile List**

No.	Shape	Parameter	Assembly
171		t=1.2mm L=3000mm D=50 0.94kg/m D=30 0.75kg/m D=25 0.71kg/m Galvanized Steel	
196		t=1.2mm D=50 0.85kg/m D=30 0.66kg/m D=25 0.65kg/m Galvanized Steel	
232		t=1.2mm L=3000mm 1.51kg/m Galvanized Steel	
187		t=3mm 0.18kg/pcs Cold Rolling Steel	
344		L=4000mm PVC	
153		t=0.6mm D1=36 h=42 0.75kg/m D1=36 h=22 0.5kg/m PVC Steel	

**Profile List**

No.	Shape	Parameter	Assembly
157		t=0.60mm 1.07kg/m PVC Coated Steel	
225		t=0.60mm 0.18kg/m PVC Coated Steel	
275		T=3mm	
176		t=0.6mm D=50 1.78kg/m D=30 1.59kg/m D=25 1.54kg/m PVC Coated Steel	
144		t=0.6mm 0.51kg/m PVC Coated Steel	
145		t=0.6mm D=50 0.83kg/m D=30 0.73kg/m D=25 0.71kg/m PVC Coated Steel	

Profile List

No.	Shape	Parameter	Assembly
147		t=0.6mm D=50 1.27kg/m D=30 0.89kg/m D=25 0.91kg/m PVC Coated Steel	
148		t=0.6mm D1/D2=50/30 1.17kg/m D1/D2=50/25 1.15kg/m D1/D2=30/50 1.46kg/m D1/D2=25/50 1.50kg/m PVC Coated Steel	
150		t=0.6mm D=50 A=75 0.96kg/m D=30 A=50 0.70kg/m D=25 A=50 0.72kg/m PVC Coated Steel	
142		t=0.6mm D=50 0.58kg/m D=30 0.49kg/m D=25 0.47kg/m PVC Coated Steel	
197		t=0.6mm D=50 0.56kg/m D=30 0.47kg/m D=25 0.45kg/m PVC Coated Steel	
235		t=0.6mm D=50,30,25 1.74, 1.49, 1.42kg/m PVC/Coated Galvanized Steel	

WALL PANEL TYPE APPROVAL CERTIFICATE LIST

Type	Core material	Fire class	Classification Society									
			ABS	BV	CCS	DNVGL	EC	LR	NK	KR	RS	
B50A	Rock wool	B-15	★	★	★	★	★	★	★	★	★	★
B30A	Rock wool	B-15/B-0	★	★	★	★ (B-0)	★	★	★	★ (B-0)	★	○
B25A	Rock wool	B-15	★	★	★	★	★	★	★	★	★	★
		B-0	★	★	○	EC	★	○	○	○	○	○
	Aluminum honeycomb	B-0	★	○	★	★	★	★	○	○	○	○
B50AD	Rock wool	B-15	★	★	★	★	★	★	○	★	○	○
B50AGd	Rock wool	B-15	★	★	★	★	★	★	○	★	★	★
B50AGa	Rock wool	B-15	★	★	★	★	★	★	★	★	★	○
B50AGe	Rock wool	B-15	★	★	□	EC	★	★	○	○	○	○
B100C	Rock wool	A-60	★	★	★	★	★	★	○	○	○	○
B50C	Rock wool	B-15	★	★	★	★	★	★	★	★	★	★
B30C	Rock wool	B-15	★	○	★	★	★	★	★	★	★	○
B25C	Rock wool	B-0	★	★	★	★	★	★	★	★	★	○
	Aluminum honeycomb	B-0	★	○	★	★	★	★	○	○	○	○
SB25C	Rock wool	B-15	★	○	★	★	★	★	○	○	○	○
B50CD	Rock wool	B-15	★	○	★	★	★	○	○	○	○	○
B50CGd	Rock wool	B-15	★	★	★	★	★	★	○	○	★	★
B50CGa	Rock wool	B-15	★	○	★	★	★	★	★	○	★	○
B50CGe	Rock wool	B-15	★	★	□	EC	★	○	○	○	○	○
B50M	Rock wool	B-15	★	○	○	○	○	★	○	★	○	○
B25M	Rock wool	B-15	★	○	○	○	○	★	○	★	○	○
B50MD	Rock wool	B-15	★	○	○	○	○	★	○	★	○	○
B50MGa	Rock wool	B-15	★	○	○	○	○	★	○	★	○	○

★ Certificate received □ Certificate applied for ○ Certificate not yet applied for