



Marine & Offshore Interior Systems

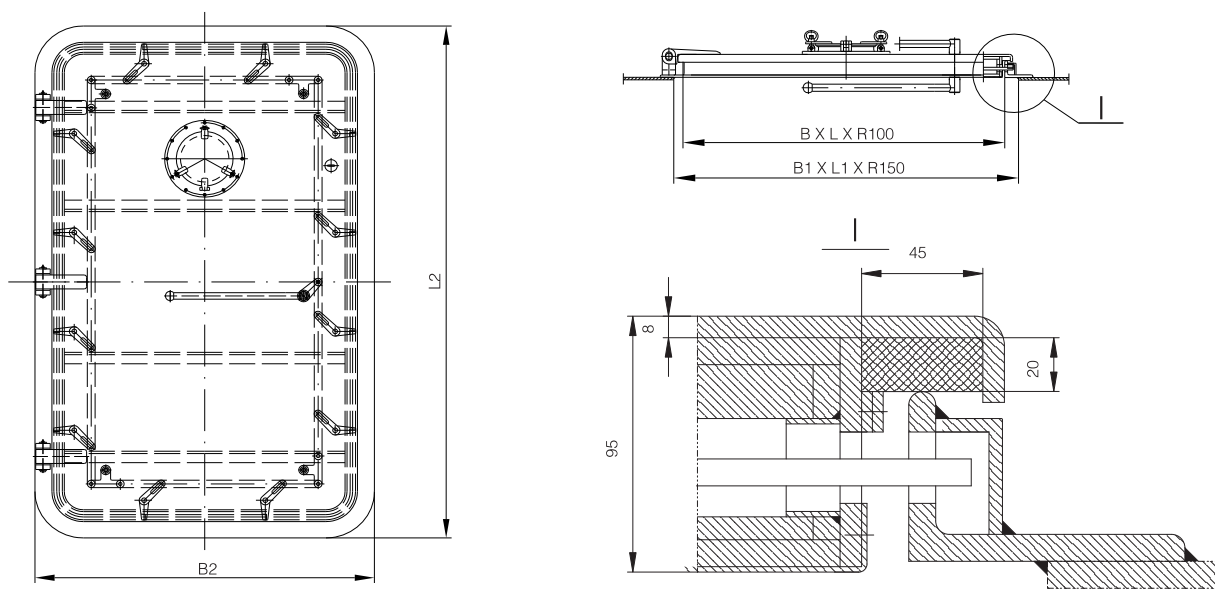
EXTERNAL DOORS

www.sasgp.com

A60 WATERTIGHT STEEL DOOR

262WDF079-00

Suitable for accommodations with A60 fireproof and watertight requirements, passed the fire test held by Shanghai Far East Firetesting Center with the test report No. FT04154.



no.	mm nominal size B X L X R100	cutout in steel wall B1 X L1 X R150	mm external size B2 X L2 X R200	leaf thickness	remarks
1	600 X 1700	700 X 1800	800 X 1900	95	with bulleye Φ200
2	650 X 1700	750 X 1800	850 X 1900		
3	700 X 1700	800 X 1800	900 X 1900		
4	600 X 1800	700 X 1900	800 X 2000		
5	700 X 1800	800 X 1900	900 X 2000		
6	800 X 1800	900 X 1900	1000 X 2000		
7	800 X 1900	900 X 2000	1000 X 2100		
8	900 X 1900	1000 X 2000	1100 X 2100		
9	1000 X 2000	1100 X 2100	1200 X 2200		
10	1200 X 2000	1300 X 2100	1400 X 2200		

Identification example:

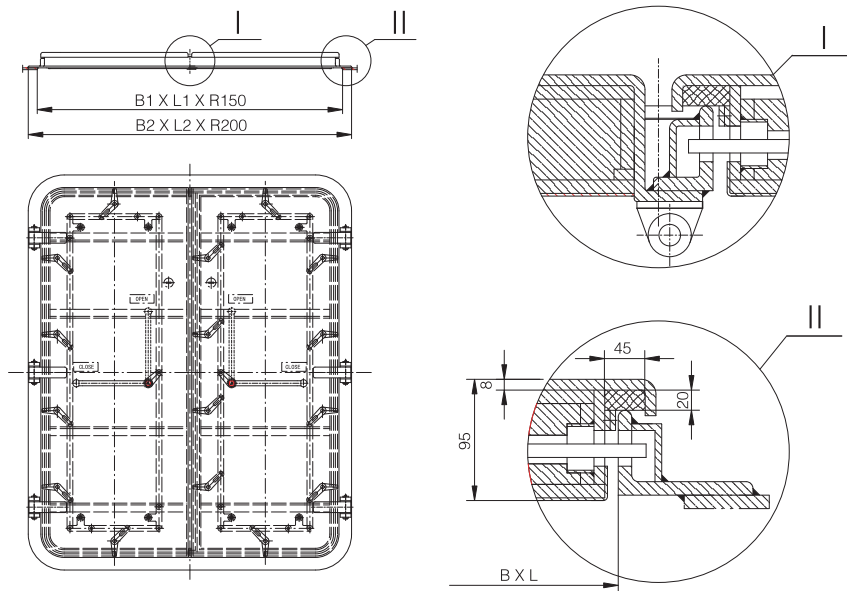
A60 watertight steel door with clear size of 1200X2000:

A60 watertight steel door 1200X2000 262WDF079

A60 WEATHERTIGHT DOUBLE-LEAF STEEL DOOR

262WDF080-00

Suitable for accommodations with A60 fireproof and weathertight requirements, passed the fire test held by Shanghai Far East Firetesting Center with the test report No. FT04160.



no.	mm nominal size B X L X R100	cutout in steel wall B1 X L1 X R150	mm external size B2 X L2 X R200	leaf thickness
1	1000 X 1400	1100 X 1500	1200 X 1600	95
2	1200 X 1600	1300 X 1700	1400 X 1800	
3	1400 X 1600	1500 X 1700	1600 X 1800	
4	1400 X 1700	1500 X 1800	1600 X 1900	
5	1400 X 1800	1500 X 1900	1600 X 2000	
6	1600 X 1600	1700 X 1700	1800 X 1800	
7	1600 X 1800	1700 X 1900	1800 X 2000	
8	1600 X 2000	1700 X 2100	1800 X 2200	

Identification example:

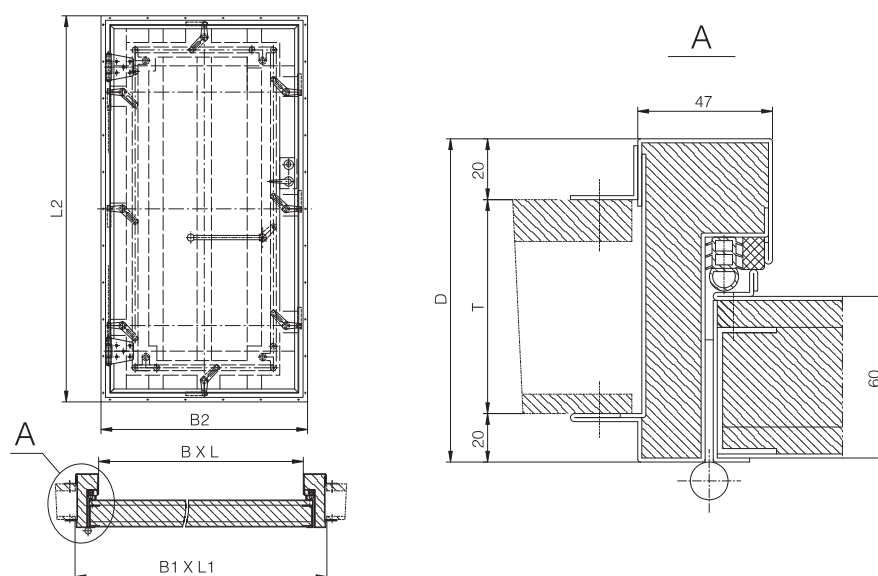
A60 weathertight double-leaf steel door with clear size of 1600X2000:

A60 weathertight double-leaf steel door 1600X2000 262WDF080


A60 WEATHERTIGHT & GASTIGHT DOOR

262WDF087-00

This A60 fireproof door satisfies both weathertight and gastight requirements passed the fire test held by Shanghai Far East Firetesting Center with the test report No. FT05019



no.	mm nominal size L X B	cutout in steel wall L1 X B1	mm external size L2 X B2	leaf thickness	lining thickness T	frame thickness D
1	1700 X 600	1800 X 700	1844 X 744	60	up to buyer's choice	T+40
2	1700 X 650	1800 X 750	1844 X 794			
3	1700 X 700	1800 X 800	1844 X 844			
4	1800 X 600	1900 X 700	1944 X 744			
5	1800 X 700	1900 X 800	1944 X 844			
6	1800 X 800	1900 X 900	1944 X 944			
7	1900 X 800	2000 X 900	2044 X 944			
8	1900 X 900	2000 X 1000	2044 X 1044			
9	2000 X 900	2100 X 1000	2144 X 1044			
10	2000 X 1000	2100 X 1100	2144 X 1144			

Identification example:

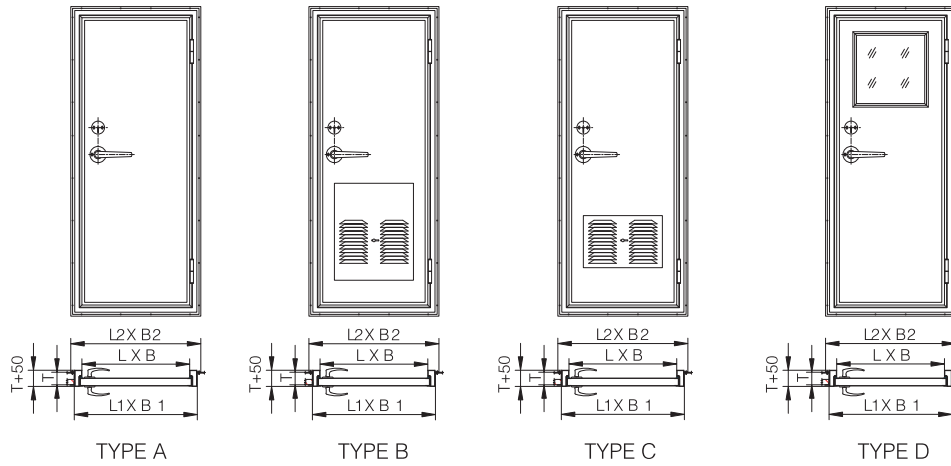
A60 weathertight & gastight door with clear size of 1000X2000:

A60 weathertight & gastight door 1000X2000 262WDF087

ALUMINIUM CABIN HOLLOW DOOR

CB/T3281-1997

Made of aluminium alloy with new structure & good weathertight.



type		opening	mm nominal size L X B	cutout in steel wall L1 X B1	mm external size L2 X B2	lining thickness T	frame type
A	nothing	LO	1600 X 600	1685 X 685	1724 X 724	up to buyer's choice	profiled bar K1
			1650 X 650	1735 X 735	1774 X 774		
			1700 X 700	1785 X 785	1824 X 824		
			1750 X 800	1835 X 885	1874 X 874		
B	with escape	RO	1600 X 600	1685 X 685	1724 X 724		
			1650 X 650	1735 X 735	1774 X 774		
			1700 X 700	1785 X 785	1824 X 824		
			1750 X 800	1835 X 885	1874 X 874		
C	with ventilation	LI	1600 X 600	1685 X 685	1724 X 724		
			1650 X 650	1735 X 735	1774 X 774		
			1700 X 700	1785 X 785	1824 X 824		
			1750 X 800	1835 X 885	1874 X 874		
D	with bulleye	RI	1600 X 600	1685 X 685	1724 X 724		
			1650 X 650	1735 X 735	1774 X 774		
			1700 X 700	1785 X 785	1824 X 824		
			1750 X 800	1835 X 885	1874 X 874		
							K2

Identification example:

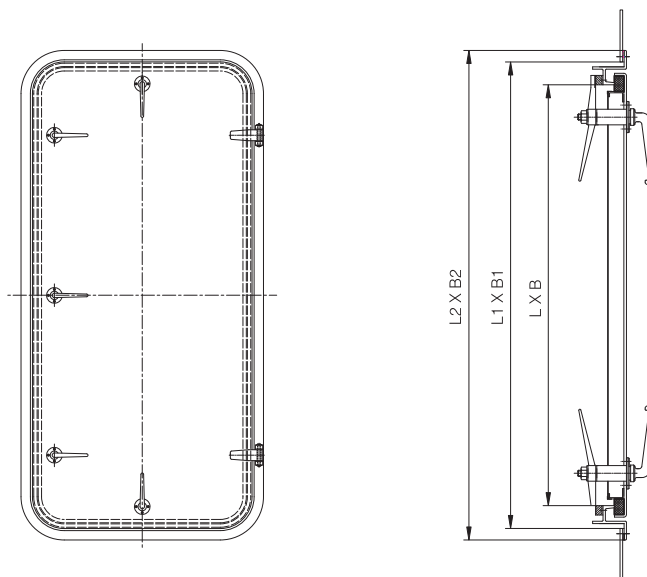
Aluminium cabin hollow door ,Type B right inward opening,clear size of 700X700,T=150,profiled frame:

Aluminium cabin hollow door B1700X700X150RI-K1 CB/T3281-1997

ALUMINIUM WEATHERTIGHT DOOR

CB/T454-1997

Used for the doorway of superstructure above freeboard deck or deck house.



mm nominal size L X B	mm cutout in steel wall L1 X B1	mm external size L2 X B2	qty of clip	kg weight
1000 X 500 X R100	1080 X 580 X R140	1132 X 632 X R166	4	20.7
1200 X 500 X R100	1280 X 580 X R140	1332 X 632 X R166	5	24.3
1400 X 500 X R100	1480 X 580 X R140	1532 X 632 X R166	5	26.8
1200 X 600 X R100	1280 X 680 X R140	1332 X 732 X R166	5	30.2
1400 X 600 X R100	1480 X 680 X R140	1532 X 732 X R166	5	33.1
1600 X 650 X R100	1680 X 730 X R140	1732 X 782 X R166	5	35.7

Identification example:

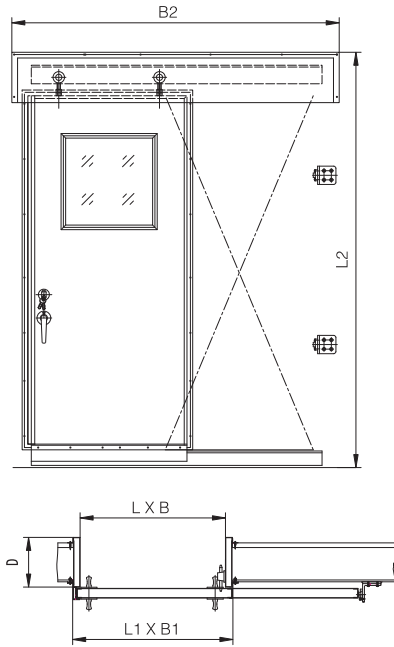
Aluminium weathertight door with clear size of 1600X600:

Aluminium weathertight door 1600X600 CB/T454-1997

WHEELHOUSE SLIDING DOOR

CBM2055-82

Designed according to international standards with low noise & light opening.



A	stainless steel
B	aluminium
C	GRP

type	mm nominal size L X B	mm cutout in steel wall L1 X B1	mm external size L2 X B2	frame depth D	opening	kg weight		
	A	B	C					
A	1700 X 750	1765 X 815	2250 X 1860	100~200	L	56	42	40
	1700 X 900	1765 X 965	2250 X 2160			62	48	46
B	1800 X 900	1865 X 965	2350 X 2160		R	66	52	50
C	1800 X 1000	1865 X 1065	2350 X 2360		72	58	56	

Identification example:

Stainless steel wheelhouse sliding door, clear size of 1800X900, frame depth of 200mm, left opening:

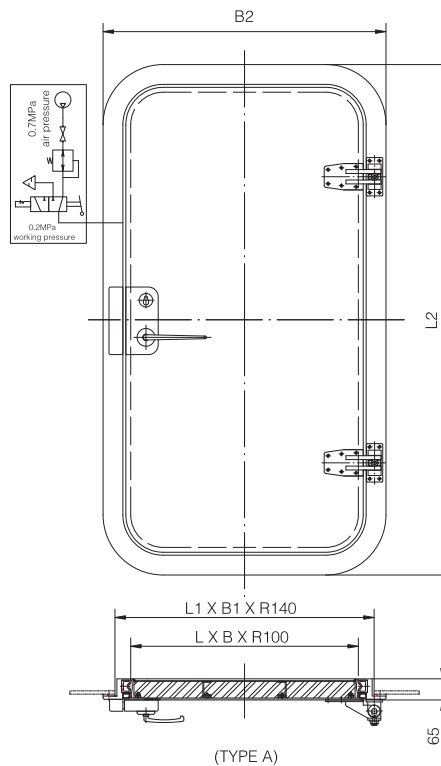
Wheelhouse sliding door A1800X900X200L CBM2055-82

GASTIGHT DOOR

CB/T3722-1995

Suitable for various vessels with low combustion point like LPG & off shores

type	name	opening direction	leaf material	gastight performance Pa
A	inflatable seal hinged			500
B	inflatable seal sliding	left L	stainless steel N	100
C	mechanical seal sliding	right R	aluminium L	0



mm nominal size L X B X R100	cutout in steel wall L1 X B1 X R142	mm external size L2 X B2 X R185	kg weight	
			stainless steel N	aluminium L
1600 X 600	1685 X 685	1770 X 770	64	44
1700 X 700	1785 X 785	1870 X 870	78	52
1800 X 800	1885 X 885	1970 X 970	92	66

Identification example:

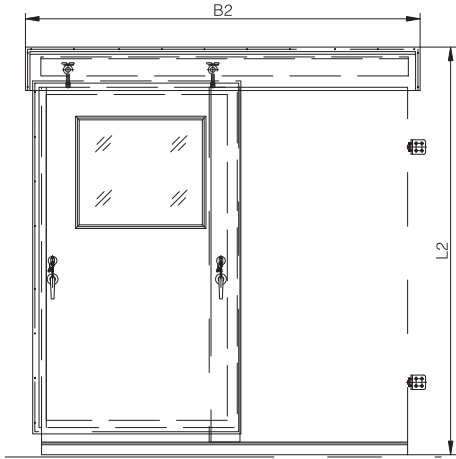
Aluminium hinged gastight sliding door, Type A, inflatable seal, left opening, with clear size of 1600X600:

Gastight door AL1600X600L CB/T3722-1995

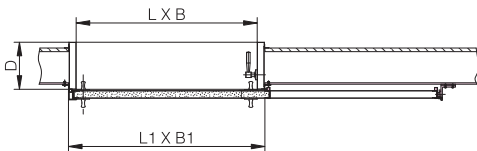
WHEELHOUSE GASTIGHT SLIDING DOOR

262XDF001-00

Suitable for various vessels with low combustion point like LPG & offshores



A	stainless steel
B	aluminium
C	steel frame aluminium leaf



type	mm nominal size L X B	cutout in steel wall L1 X B1	mm external size L2 X B2	D	opening	kg weight		
						A	B	C
A	1700 X 750	1785 X 835	2250 X 1860	100 ~200	L	56	42	40
	1700 X 900	1785 X 985	2250 X 2160			62	48	46
B	1800 X 900	1885 X 985	2350 X 2160		R	66	52	50
C	1800 X 1000	1885 X 1085	2350 X 2360			72	58	56

Identification example:

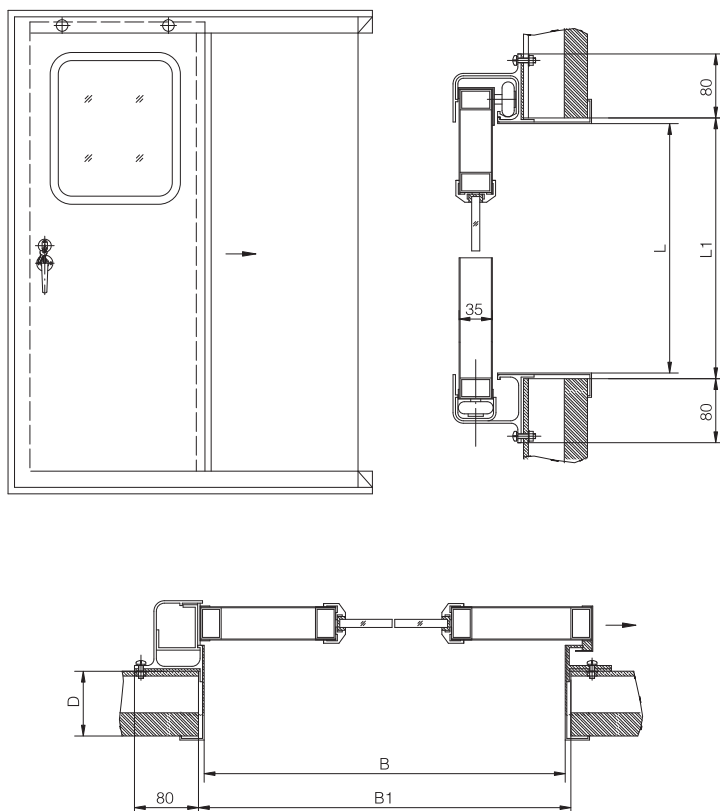
Wheelhouse gastight sliding door with clear size of 1800X900,
frame depth of 200mm, stainless steel, left sliding:

Wheelhouse gastight sliding door AL1800X900-200 262XDF001

ALUMINIUM WEATHERTIGHT SLIDING DOOR

262WDF021-00

This product is made of aluminium alloy with new structure & good weathertightness.



mm nominal size B X L	cutout in steel wall B1 X L1	mm external size B2 X L2
600 X 1600	620 X 1620	1346 X 1776
650 X 1650	670 X 1670	1396 X 1826
700 X 1750	720 X 1770	1446 X 1926
800 X 1750	820 X 1770	1546 X 1926

D	opening	glass size
100~200	L	420 X 450
		470 X 500
	R	500 X 550
		500 X 600

Identification example:

Aluminum weathertight sliding door, right opening,

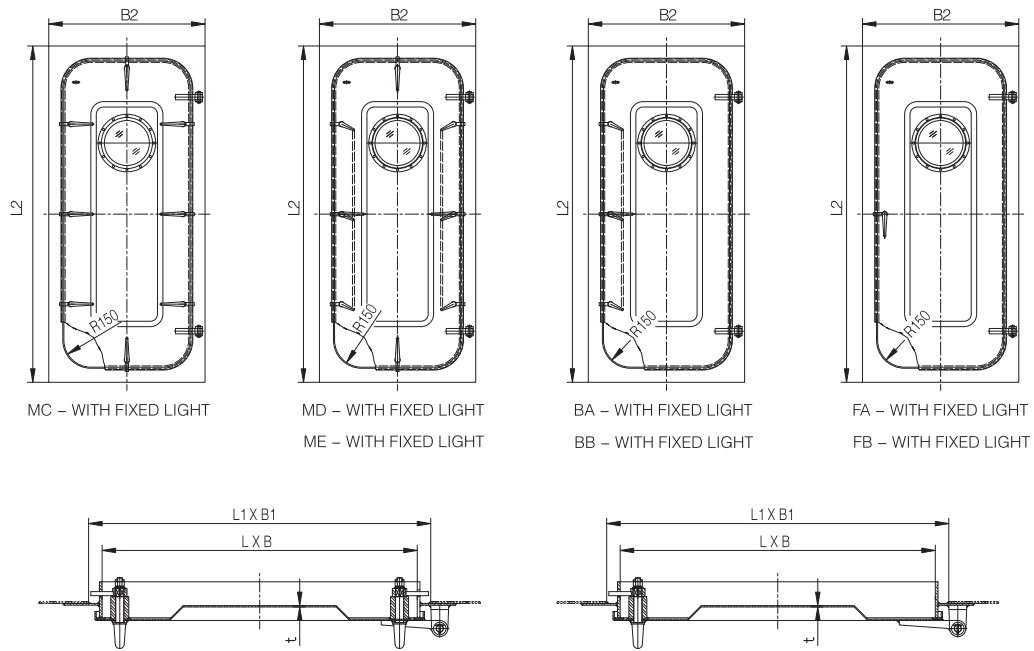
D=100, with clear size of 800X1750:

Aluminum weathertight sliding door 800X1750-100R 262WDF021

STEEL DOOR

CB751-68(262WDF023)

Used for working cabin and inland ship



type	mm		mm		leaf thickness t	qty of clip
	nominal size L X B X R150	cutout in steel wall L1 X B1 X R180	external size L2 X B2			
MC	1500 X 600	1560 X 660	1668 X 768		4~6	
MD	1600 X 700	1660 X 760	1768 X 868			
ME	1650 X 600	1710 X 660	1818 X 768			
BA	1500 X 600	1560 X 660	1668 X 768	3	1~2	
BB	1600 X 700	1660 X 760	1768 X 868			
	1650 X 600	1710 X 660	1818 X 768			
FA	1500 X 600	1560 X 660	1668 X 768		-	
FB	1600 X 700	1660 X 760	1768 X 868			
	1650 X 600	1710 X 660	1818 X 768			

Identification example

Steel door with clear size of 1700X700:

Steel door 1700X700 262WDF023

WEATHERTIGHT STEEL DOOR

GB/T3477-1996 (262WDF016)

Used for the doorway of superstructure above freeboard deck or deck house.

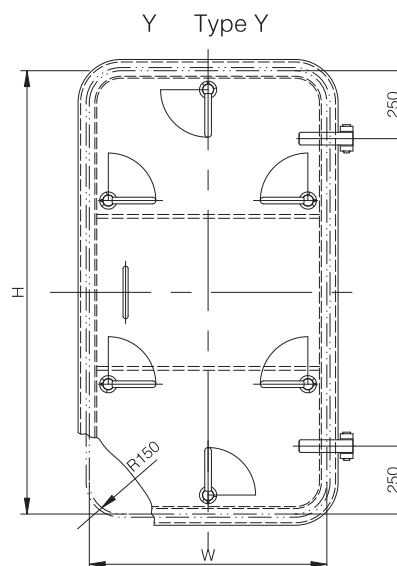
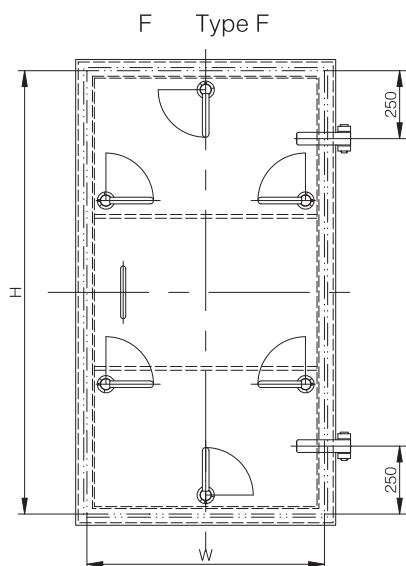
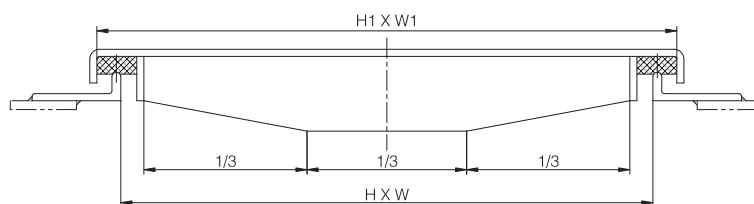
1. door class & application

A	first deck above free board
B	second deck above free board
C	third deck above free board
D	forth deck above free board

2. door type

type	AF	AY	BF	BY	CF	CY	DF	DY
name	class A square angle	class A cycle angle	class B square angle	class B cycle angle	class C square angle	class C cycle angle	class D square angle	class D cycle angle

φ 250 fixed light available for class C & D,cooled as 'G'.

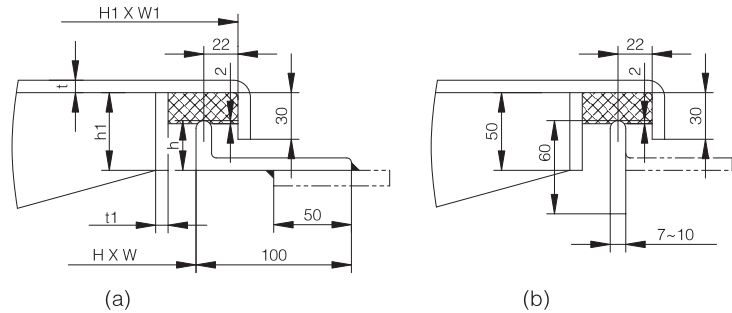


WEATHERTIGHT STEEL DOOR

GB/T3477-1996 (262WDF016)

3. door section

leaf thickness t	shelter size h1 X t1	frame high h	frame material t
8	50 X 6	32	L100X63X10
6	32 X 4	34	
4		36	L100X63X8



4. dimensions

type	clear size H X W (mm X mm)	leaf size H1 X W1 (mm X mm)	castout in steel wall (mm X mm X mm)		leaf thickness			cut of clip		/kg ≈ remarks				
					class A,B	class C	class D	class A	class D	/mm leaf thickness 4 6 8				
			L					class B	class D					
			≤80	>80	≤80	>80	—	class C						
1050	1000 X 500	1055 X 555	1100 X 600 R80	1100 X 600 R150	6	—	4	—	4	6	3	22	30	—
1260	1200 X 600	1255 X 655	1300 X 700 R80	1300 X 700 R150	6	—	4	—	4	6	3	30	41	—
1460	1400 X 600	1455 X 655	1500 X 700 R80	1500 X 700 R150	6	8	4	6	4	6	3	35	55	77
1475	1400 X 750	1455 X 805	1500 X 850 R80	1500 X 850 R150	6	8	4	6	4	6	3	45	66	92
1490	1400 X 900	1455 X 955	1500 X 1000 R80	1500 X 1000 R150	—	8	—	6	4	8	4	60	77	107
1660	1600 X 600	1655 X 655	1700 X 700 R80	1700 X 700 R150	—	8	—	6	6	6	3	—	63	87
1675	1600 X 750	1655 X 805	1700 X 850 R80	1700 X 850 R150	—	8	—	6	6	6	3	—	75	104
1690	1600 X 900	1655 X 955	1700 X 1000 R80	1700 X 1000 R150	—	8	—	6	6	8	4	—	88	121
1860	1800 X 600	1855 X 655	1900 X 700 R80	1900 X 700 R150	—	—	—	—	6	—	3	—	70	—
1875	1800 X 750	1855 X 805	1900 X 850 R80	1900 X 850 R150	—	—	—	—	6	—	3	—	76	—
1890	1800 X 900	1855 X 955	1900 X 1000 R80	1900 X 1000 R150	—	—	—	—	6	—	4	—	97	—

5. Identification example:

Weather-tight steel door, Type A square angle, leaf thickness of 8mm, stiffener thickness of 65X9mm, clear size of 600X600mm, right outward opening.

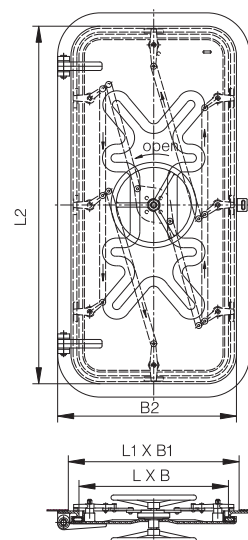
Weather-tight steel door AF1660-8-65X9-5.1 GB/T3477-1996

QUICK ACTION WEATHERTIGHT STEEL DOOR

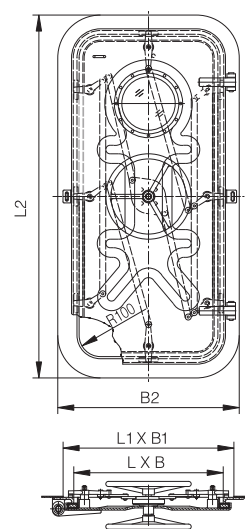
262WDF028-00

Used for the doorway of superstructure above freeboard deck or deck house to meet ISO6042-1980.

type	nominal size L X B	external size L2 X B2	cutout in steel wall L1 X B1	leaf thickness	weight
A	1200 X 600	1400 X 800	1300 X 700	6	124
	1200 X 600	1400 X 800	1300 X 700	8	142
	1400 X 600	1600 X 800	1500 X 700	6	133
	1400 X 600	1600 X 800	1500 X 700	8	154
	1400 X 600	1600 X 800	1500 X 700	10	165
	1400 X 700	1600 X 900	1500 X 800	6	151
	1400 X 700	1600 X 900	1500 X 800	8	177
	1400 X 700	1600 X 900	1500 X 800	10	185
	1500 X 600	1700 X 800	1600 X 700	6	142
	1500 X 600	1700 X 800	1600 X 700	8	162
	1500 X 600	1700 X 800	1600 X 700	10	172
	1500 X 700	1700 X 900	1600 X 800	6	157
	1500 X 700	1700 X 900	1600 X 800	8	187
	1500 X 700	1700 X 900	1600 X 800	10	195
B	1500 X 800	1700 X 1000	1600 X 900	6	167
	1500 X 800	1700 X 1000	1600 X 900	8	205
	1500 X 800	1700 X 1000	1600 X 900	10	221
	1600 X 600	1800 X 800	1700 X 700	6	146
	1600 X 600	1800 X 800	1700 X 700	8	173
	1600 X 600	1800 X 800	1700 X 700	10	181
	1600 X 700	1800 X 900	1700 X 800	6	163
	1600 X 700	1800 X 900	1700 X 800	8	194
	1600 X 700	1800 X 900	1700 X 800	10	207
	1600 X 800	1800 X 1000	1700 X 900	6	204
1600 X 800	1800 X 1000	1700 X 900	8	224	
1600 X 800	1800 X 1000	1700 X 900	10	238	



TYPE A



TYPE B

Identification example:

Quick action weathertight steel door with clear size of 1700X700:

With fined light, left opening.

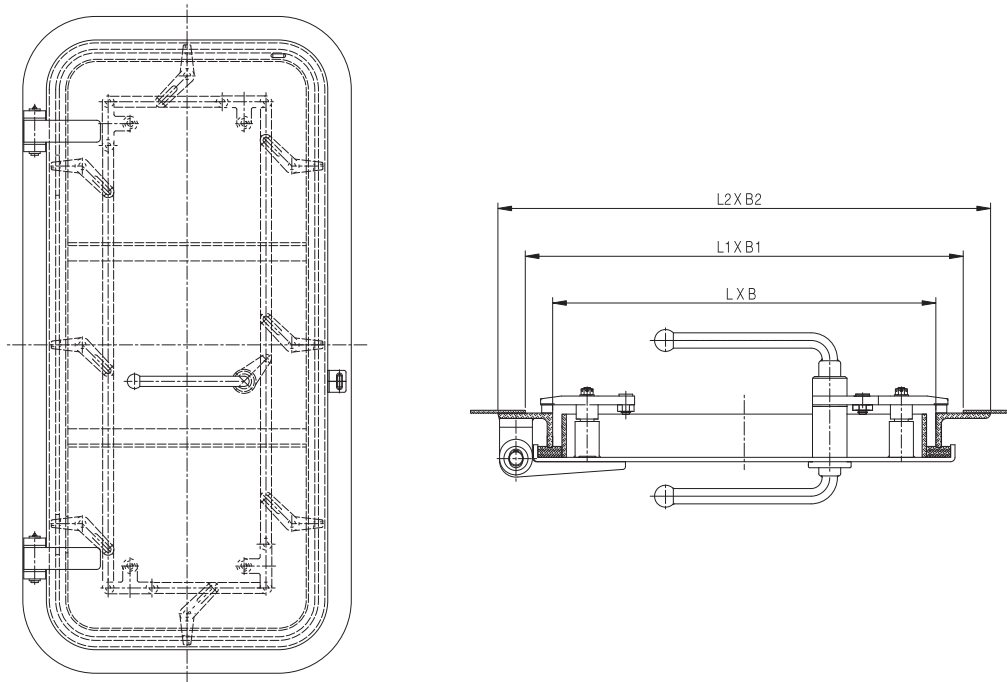
Quick action weathertight steel door B1700X700L 262WDF028



QUICK OPENING & CLOSING WEATHERTIGHT STEEL DOOR

262WDF025-00

Used for the doorway of superstructure above freeboard deck or deck house to meet ISO 6042-1980.



mm nominal size L X B X R100	cutout in steel wall L1 X B1 X R150	mm external size L2 X B2 X R200	leaf thickness t	qty of clip
1000 X 600	1100 X 700	1200 X 800	8	6
1200 X 600	1300 X 700	1400 X 800	8	
1400 X 600	1500 X 700	1600 X 800	8	
1400 X 700	1500 X 800	1600 X 900		
1500 X 600	1600 X 700	1700 X 800		
1500 X 700	1600 X 800	1700 X 900	8	
1600 X 600	1700 X 700	1800 X 800		
1700 X 700	1800 X 800	1900 X 900		8

Identification example:

Quick opening & closing weathertight steel left opening,

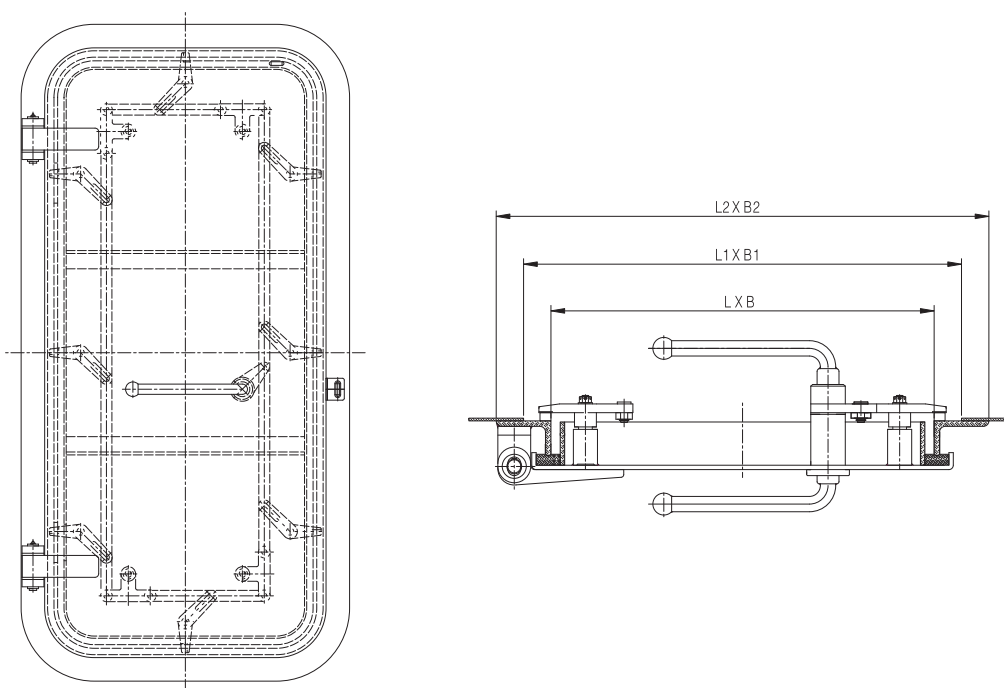
t=8 door with clear size of 1700X700

Quick opening & closing weathertight steel door 1700X700-8(L) 262WDF025

QUICK OPENING & CLOSING WATERTIGHT DOOR

262WDF025B

Used for engine room and other compartments with max. water pressure of 0.06MPa.



mm nominal size L X B X R100	cutout in steel wall L1 X B1 X R150	mm external size L2 X B2 X R200	leaf thickness t	qty of clip
1000 X 600	1100 X 700	1200 X 800	8	6
1200 X 600	1300 X 700	1400 X 800		
1400 X 600	1500 X 700	1600 X 800		
1400 X 700	1500 X 800	1600 X 900	8	
1500 X 600	1600 X 700	1700 X 800		
1500 X 700	1600 X 800	1700 X 900		8
1600 X 600	1700 X 700	1800 X 800	8	
1600 X 700	1700 X 800	1800 X 900		

Identification example:

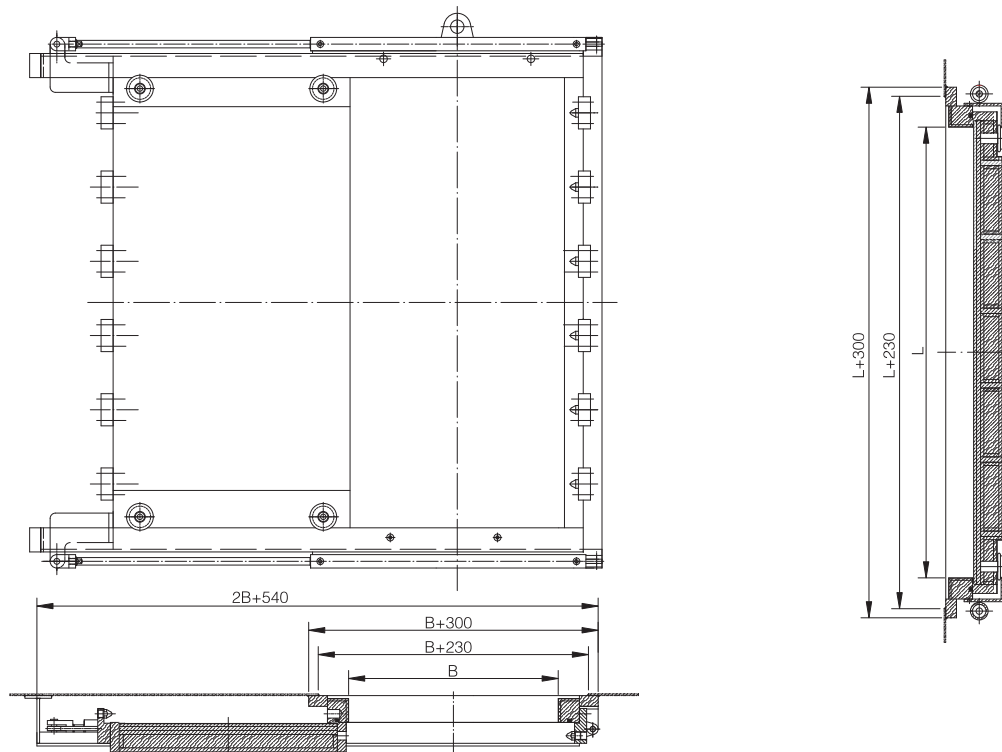
Quick opening & closing watertight opening & closing steel steel door with clear size of 1700X700:left opening,t=8

Quick opening & closing watertight steel door 1700X700-8(L) 262WDF025B

A60 HYDRAULIC WATERTIGHT SLIDING DOOR

262WDF055-00

Suitable for enginerooms with A60 fireproof requirement, passed the fire tests held by Shanghai Far East Firetesting Center with the test reports No. FT05196, FT05197 according to IMO FIPC part3 & IMO FIPC part4.



no.	mm nominal size B X L	mm external size (B+300) X (L+300)	cutout in steel wall (B+230) X (L+230)	opening direction
1	500 X 1000	800 X 1300	730 X 1230	L R
2	600 X 1200	900 X 1500	830 X 1430	
3	700 X 1400	1000 X 1700	930 X 1630	
4	700 X 1600	1000 X 1900	930 X 1830	
4	700 X 1800	1000 X 2100	930 X 2030	
5	800 X 2000	1100 X 2300	1030 X 2230	

Identification example:

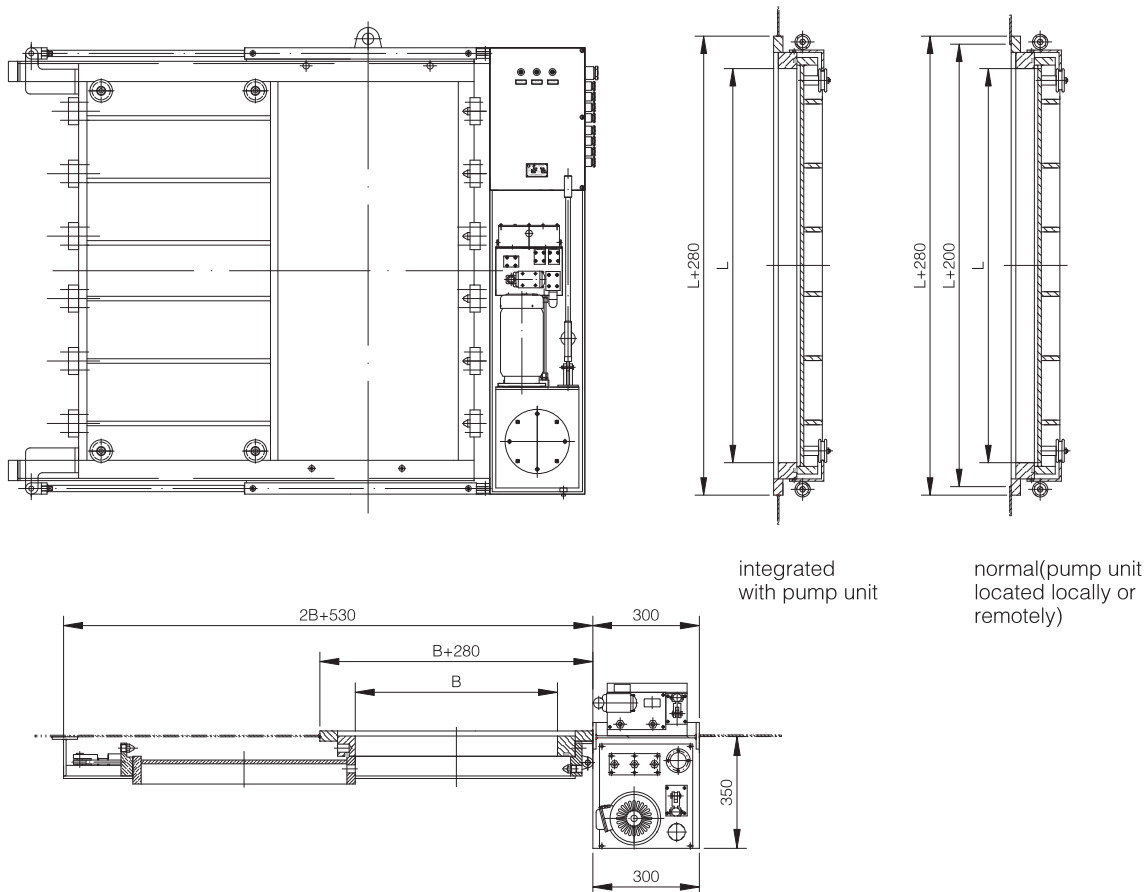
A60 hydraulic watertight sliding door with clear size of 800X2000, left opening

A60 hydraulic watertight sliding door 800X2000L 262WDF055

HYDRAULIC WATERTIGHT SLIDING DOOR

CB/T3007-1999 (262XDF015B)

Used for watertight divisions under waterline in accordance of relevant rules.



integrated with pump unit

normal(pump unit located locally or remotely)

no.	mm nominal size B X L	mm external size (B+280)/(2B+830)X(L+280)	cutout in steel wall		opening direction
			normal (B+200)X(L+200)	integrated (B+580)X(L+280)	
1	500 X 1000	780/1830 X 1280	700 X 1200	1080 X 1280	L R
2	600 X 1200	880/2030 X 1480	800 X 1400	1180 X 1480	
3	700 X 1400	980/2230 X 1680	900 X 1600	1280 X 1680	
4	700 X 1600	980/2230 X 1880	900 X 1800	1280 X 1880	
4	700 X 1800	980/2230 X 2080	900 X 2000	1280 X 2080	
5	800 X 2000	1080/2430 X 2280	1000 X 2200	1380 X 2280	

Identification example:

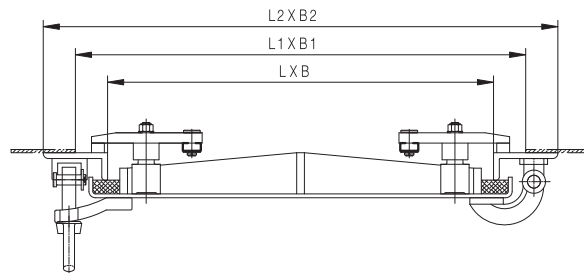
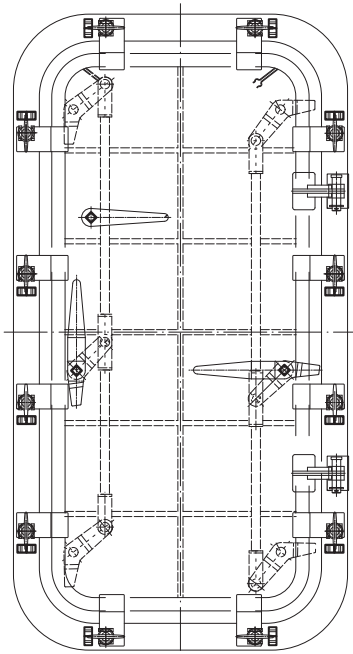
Hydraulic watertight sliding door with clear size of 800X2000, left opening

Hydraulic watertight sliding door 800X2000L 262XDF015B

FLUSH WATERTIGHT DOOR

CB672-76 (262WDF029-00)

Used for watertight divisions with max. water pressure of 0.1MPa



mm nominal size L X B X R100	cutout in steel wall L1 X B1 X R150	mm external size L2 X B2 X R200	leaf thickness t	qty of clip	opening direction
1000 X 600	1100 X 700	1200 X 800	8	6	L R
1200 X 600	1100 X 700	1200 X 800	8		
1400 X 600	1100 X 700	1200 X 800	8		
1400 X 700	1100 X 700	1200 X 800			
1500 X 600	1100 X 700	1200 X 800			
1500 X 700	1100 X 700	1200 X 800	8	8	
1600 X 600	1100 X 700	1200 X 800			
1600 X 700	1100 X 700	1200 X 800			

Identification example:

Flush watertight door with clear size of 1600X700, right outward opening

Flush watertight door 1600X700R 262WDF029

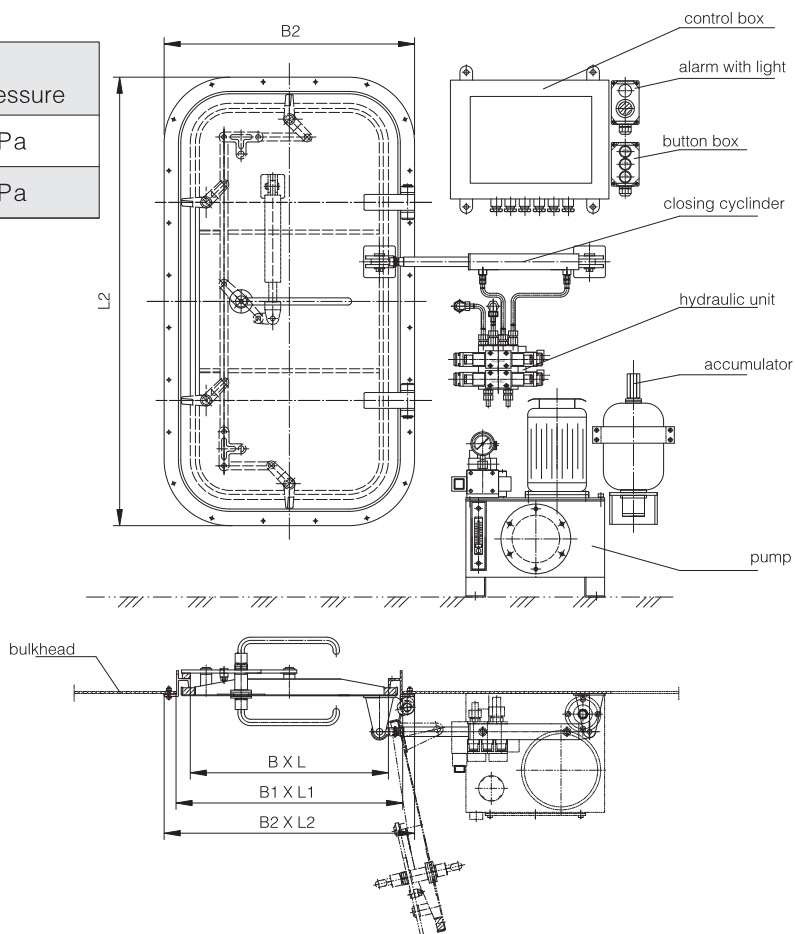
HYDRAULIC WATERTIGHT HINGED DOOR

262WDF059-00

Used for engine & steering gear rooms with watertight bulkhead, powered by elect-hydraulic or hand pump.

Type A

type	material	max. pressure
A	Al.	0.02MPa
B	St.	0.06MPa

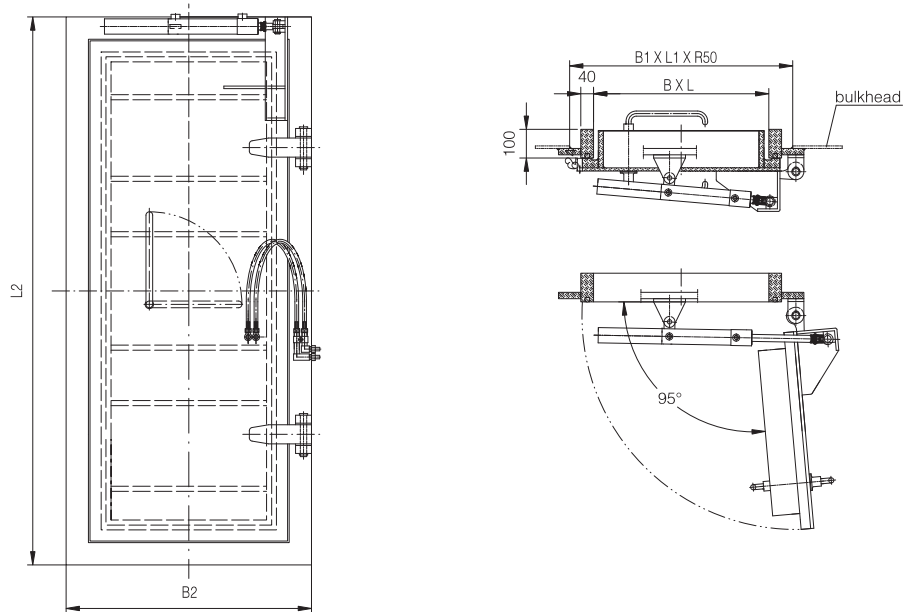


no.	mm nominal size B X L X R100	cutout in steel wall B1 X L1 X R136	mm external size B2 X L2 X R166	leaf thickness T
1	500 X 500	572 X 572	632 X 632	6
2	500 X 800	572 X 872	632 X 932	
3	600 X 600	672 X 672	732 X 732	
4	600 X 800	672 X 872	732 X 932	
5	600 X 1000	672 X 1072	732 X 1132	

HYDRAULIC WATERTIGHT HINGED DOOR

262WDF059-00

Type B



remark:

1. Hydraulic pump unit installed on deck or local with working pressure of approximately 7MPa.
2. Two cylinders pre-installed.
3. Hose test pressure of 0.06MPa.
4. Above drawing indicates a right opening door, symmetric with left opening.

no.	mm nominal size B X L	cutout in steel wall B1 X L1	mm external size B2 X L2	leaf thickness T
1	500 X 1000	650 X 1150	720 X 1220	14
2	600 X 1200	750 X 1350	820 X 1420	
3	700 X 1400	850 X 1550	920 X 1620	
4	700 X 1600	850 X 1750	920 X 1820	
5	800 X 1600	950 X 1750	1020 X 1820	

Identification example:

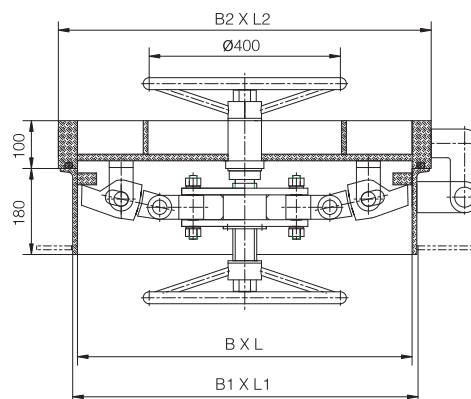
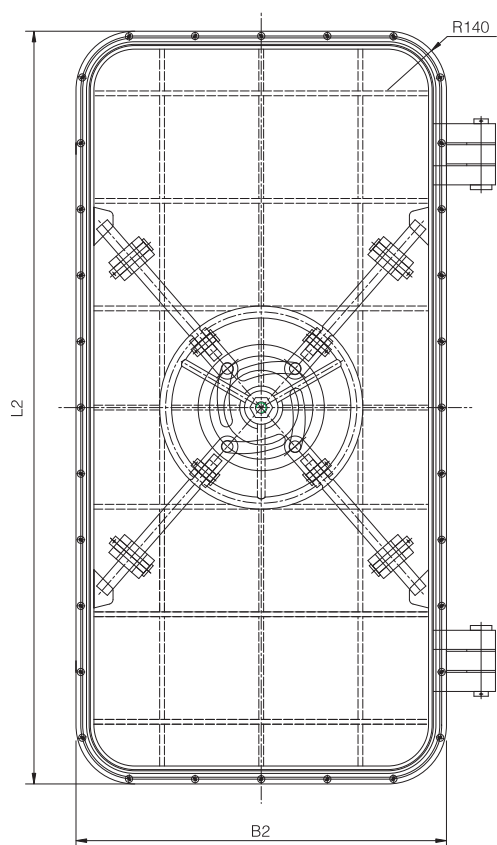
Hydraulic watertight hinged door with clear size of 600X1200,
right type B opening,

Hydraulic watertight hinged door B600X1200R 262WDF059

QUICK ACTION PRESSURE HOLDING DOOR

262WDF058-00

Used for watertight divisions with max. water pressure of 0.1MPa.



nominal size B X L X R100	cutout in steel wall B1 X L1 X R124	external size B2 X L2
700 X 1500	724 X 1524	780 X 1580
700 X 1400	724 X 1424	780 X 1480
600 X 1500	624 X 1524	680 X 1580
600 X 1400	624 X 1424	680 X 1480

Identification example

Quick action pressure holding door with clear size of 700X1500, right opening

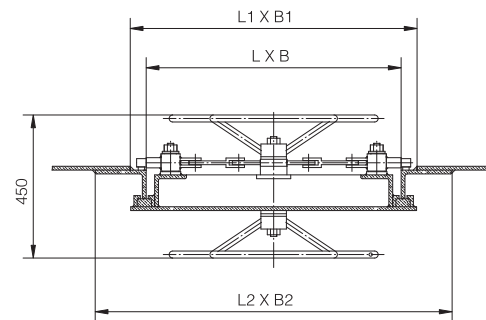
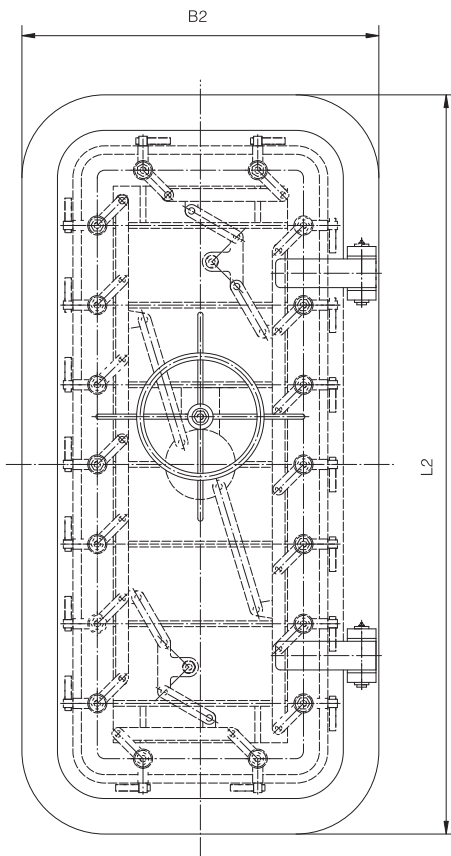
Quick action pressure holding door 700X1500R 262WDF058



WATERTIGHT DOOR

262WDF060-00

With max. water pressure of 0.5MPa.



nominal size B X L X R100	cutout in steel wall B1 X L1 X R150	external size B2 X L2 X R260
700 X 1500	800 X 1600	1020 X 1820
700 X 1400	800 X 1500	1020 X 1720
600 X 1500	700 X 1600	920 X 1820
600 X 1400	700 X 1500	920 X 1720

Identification example:

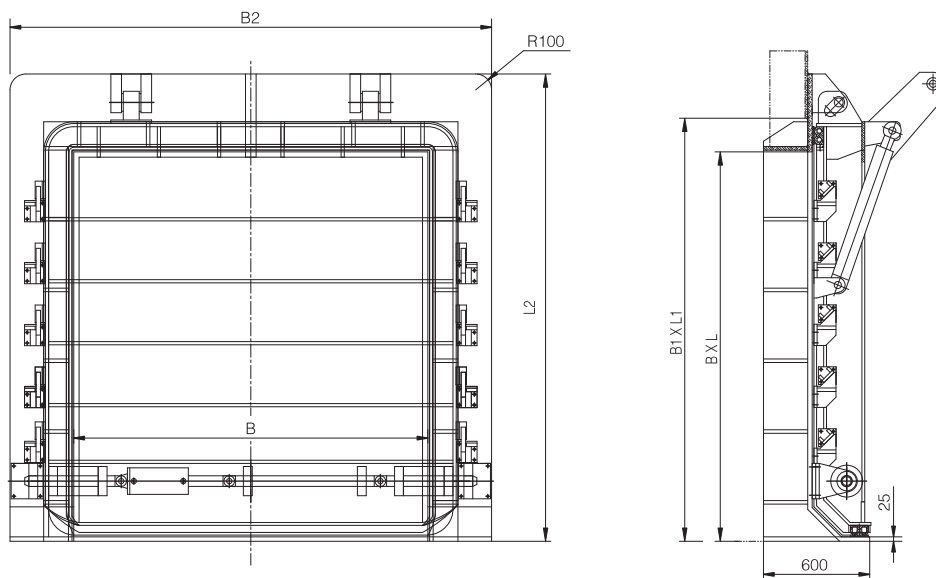
Watertight door with clear size of 700X1500, right opening

Watertight door 700X1500(R) 262WDF060

HYDRAULIC HINGED UPWARDS OPENING DOOR

262WDF052-00

Designed as bulkhead & shell doors with 0.06MPa watertightness in control of elect-hydraulic & manual control.



no.	mm nominal size B X L X R100	mm cutout in steel wall B1 X L1	mm external size B2 X L2	leaf thickness T	remark
1	1200 X 1400	1600 X 1600	1920 X 1840	14 ~16	non-sill structure available
2	1400 X 1600	1800 X 1800	2120 X 2040		
3	1600 X 1800	2000 X 2000	2320 X 2240		
4	1800 X 2000	2200 X 2200	2520 X 2440		
5	2000 X 2200	2400 X 2400	2720 X 2640		

Identification example:

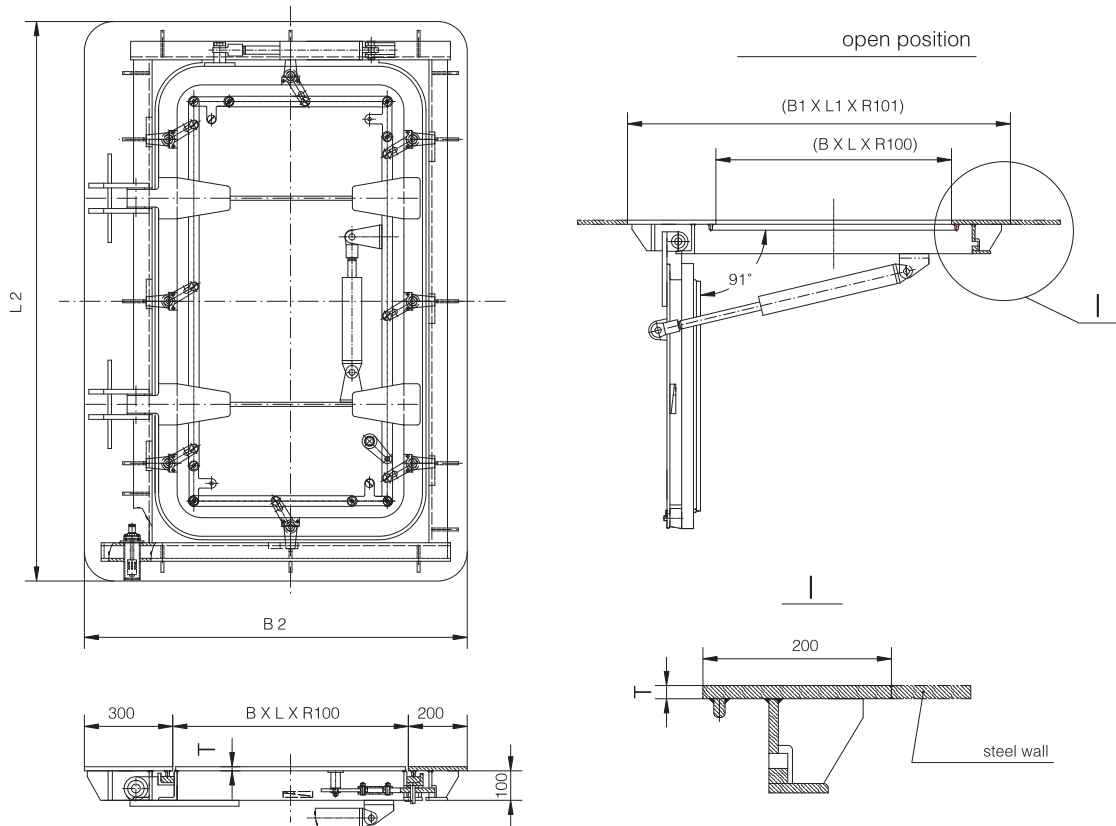
Hydraulic hinged upwards opening door with clear size of 2000X2200:

Hydraulic hinged upwards opening door 2000X2200 262WDF052

HYDRAULIC HINGED WATERTIGHT STEEL DOOR (CREW DOOR)

262WDF081-00

Used as shell doors with electro-hydraulic control or hand pump, upto 0.03MPa watertightness.



no.	mm nominal size B X L X R100	mm cutout in steel wall B1 X L1 X R101	mm external size B2 X L2X R100	leaf thickness T
1	600 X 1400	1102 X 1802	1100 X 1800	14
2	600 X 1500	1102 X 1902	1100 X 1900	
3	700 X 1500	1202 X 1902	1200 X 1900	
4	700 X 1600	1202 X 2002	1200 X 2000	
5	800 X 1500	1302 X 1902	1300 X 1900	

Identification example:

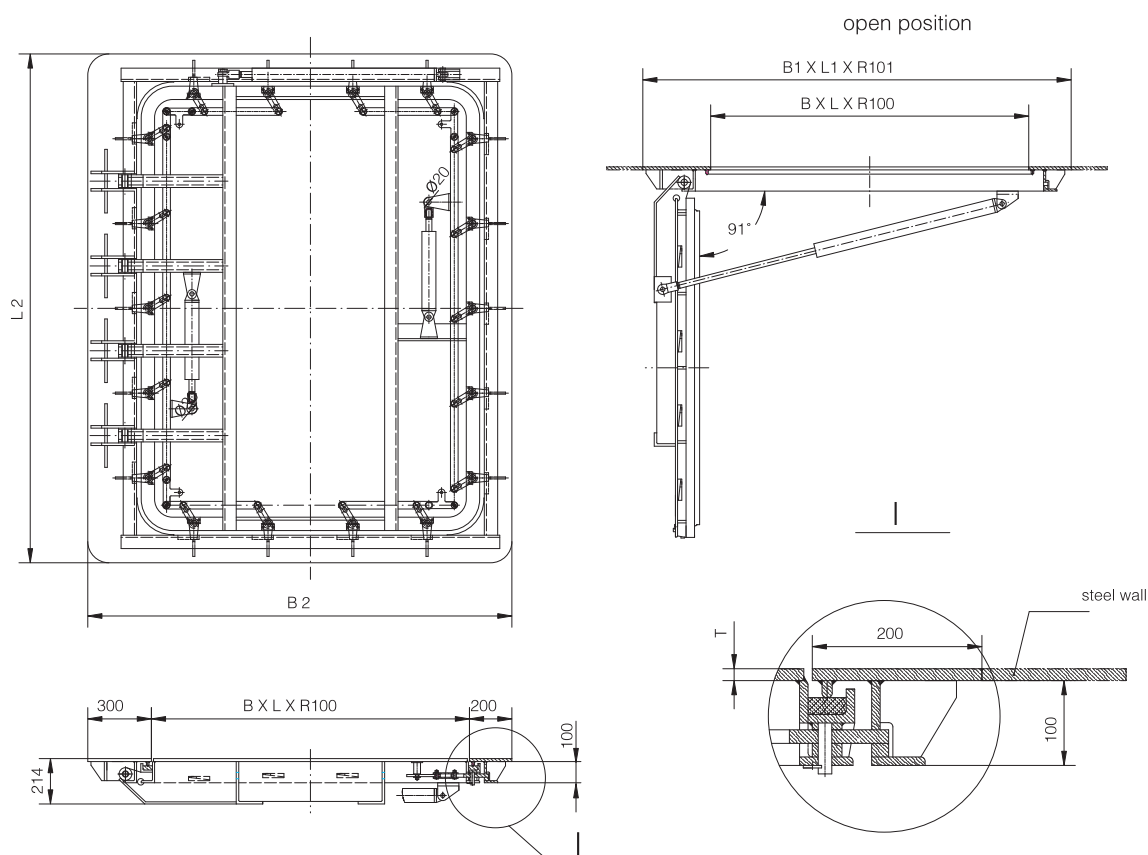
Hydraulic hinged watertight steel door with clear size of 800X1500, right inward opening.

Hydraulic hinged watertight steel door 800X1500RI 261WDF081

HYDRAULIC HINGED WEATHERTIGHT STEEL DOOR (PASSENGER DOOR)

262WDF082-00

Used as weathertight shell doors with electro-hydraulic control or hand pump.



no.	mm nominal size B X L X R100	cutout in steel wall B1 X L1 X R101	mm external size B2 X L2 X R100	leaf thickness T
1	1000 X 1600	1502 X 2002	1500 X 2000	14
2	1200 X 1600	1702 X 2002	1700 X 2000	
3	1400 X 1700	1902 X 2102	1900 X 2100	
4	1500 X 1800	2002 X 2202	2000 X 2200	
5	1500 X 2000	2002 X 2402	2000 X 2400	

Identification example:

Hydraulic hinged weathertight steel door with clear size of 1500X2000, right inward opening.

Hydraulic hinged weathertight steel door 1500X2000(RI) 262WDF08 2

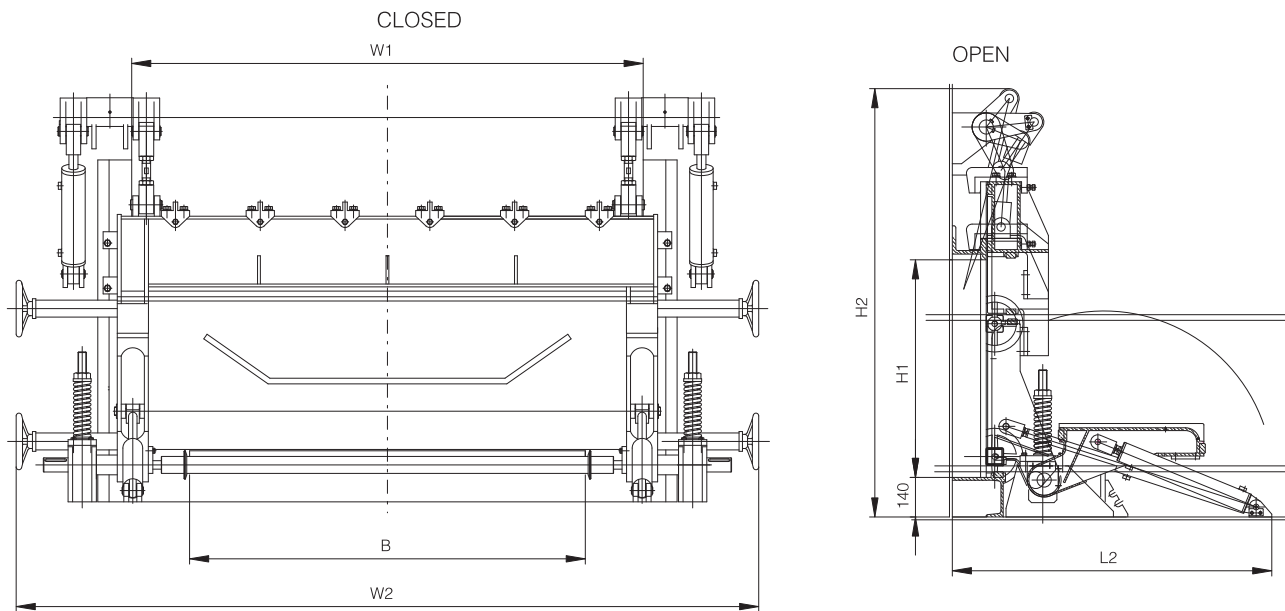
WATERTIGHT BULKHEAD DOOR

262WDF051-00

Suitable for belt conveying self unloading bulk carriers.

Conveying belts to be installed inside of conveying belt tunnels and pass through all watertight bulkheads. To ensure navigation safety, according to Classification Society requirements, such bulkheads to keep watertight integrity in sea. So all penetrated bulkheads inside conveying tunnels to be fitted with watertight bulkhead doors.

The purpose of this product is to supply doors & fittings to reach classified watertight integrity for all bulkheads penetrated by conveying tunnel, instead of disassembling latex conveying belt.



no.	mm conveyor belt width B	mm cutout in steel wall W1 X H1	mm outline size L2 X W2 X H2
1	1400	1800 X 770	1130 X 2650 X 1550
2	1600	2000 X 770	1130 X 2850 X 1550
3	1800	2200 X 770	1130 X 3050 X 1550
4	2000	2400 X 770	1130 X 3250 X 1550
5	2200	2600 X 770	1130 X 3450 X 1550

Identification example:

Watertight bulkhead door with conveying belt width of 1400mm:

Watertight bulkhead door 1400 262WDF051