



Marine & Offshore Interior Systems

CEILING PANELS

www.sasgp.com

CEILING PANEL TYPE APPROVAL CERTIFICATE LIST

Type	Core material	Fire class	Classification Society								
			ABS	BV	CCS	DNV-GL	EC	LR	NK	KR	RS
T50A	Rock wool	B-15	★	○	★	★	★	○	★	○	○
T30A (I) XY	Rock wool	B-0	★	★	★	★	★	○	★	★	★
T30A	Rock wool	B-15/B-0	★	★	○	★	○	★ (B-0)	★	○	○
T50AXY (I)	Rock wool	B-15/B-0	★	★	★	○	★	○	○	○	○
T30A (II)	Rock wool	B-15	★	★	★	★	★	○	○	○	★
T25A	Rock wool	B-0	★	○	★	★	★	○	★	○	○
T25A	Aluminum honeycomb	B-0	★	○	★	★	★	★	★	○	○
T30AXY	Rock wool	B-15	★	○	★	★	★	○	○	★	○
T25D/T25DXY	Rock wool	B-0	★	★	★	★	★	★	★	★	★
T50D	Rock wool	B-15	★	★	★	EC	★	★	○	★	○
T75DXY	Rock wool	B-15	★	○	★	★	★	○	○	○	○
T25P	Rock wool	B-0	★	★	★	★	★	★	★	★	○
T25FXY (I)	Rock wool	B-0	★	○	★	EC	★	○	○	★	○
T50F (I)	Rock wool	B-15	★	★	★	EC	★	★	○	○	○
T50H	Rock wool	B-15	★	★	★	EC	★	★	★	○	○

★ Certificate received □ Certificate applied for ○ Certificate not yet applied for

Type A ceiling (Cassette type)

Section	Type	Model	Thickness	Fire class	Core material	RW(dB)	Remark	Pages
	A	T50A	50mm	B-15	Rock wool			
		T30A	30mm	B-15/B-0	Rock wool			
		T25A	25mm	B-0	Rock wool			
		T25A	25mm	B-0	Aluminum honeycomb			
		T30A(II)	30mm	B-15	Rock wool		Removable	
		T50A(II)	50mm	B-15	Rock wool		Removable	
		T30A(II)XY	30mm	B-0	Rock wool		Removable	
		T50AXY(II)	50mm	B-0/B-15	Rock wool			
		T30AXY	30mm	B-15	Rock wool			

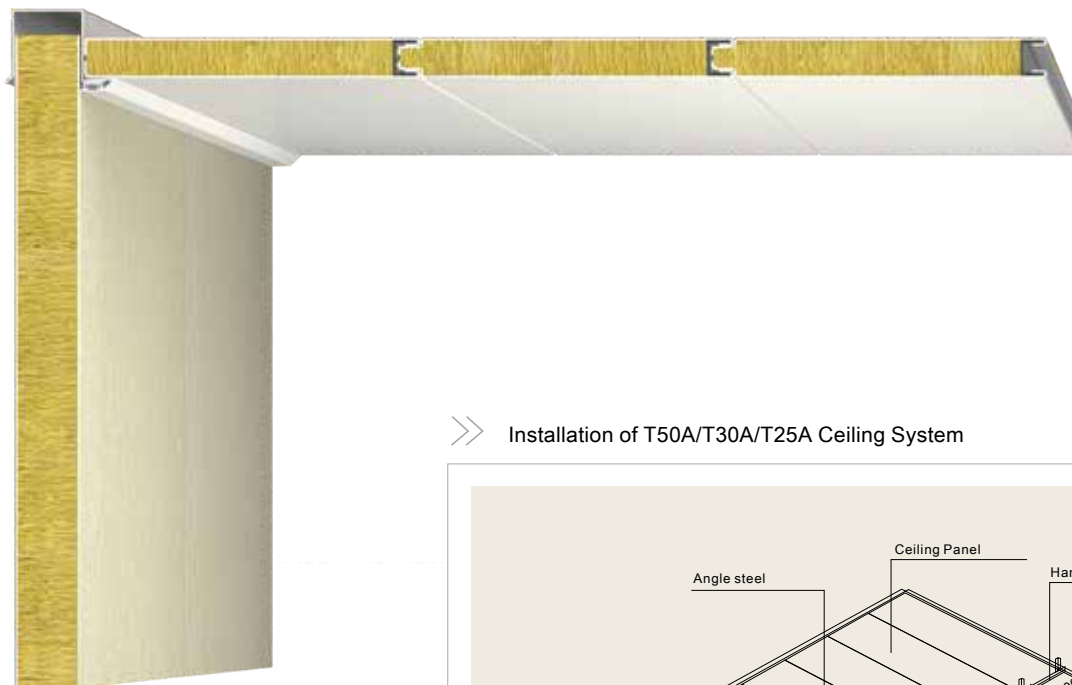
Type D ceiling

Section	Type	Model	Thickness	Fire class	Core material	RW(dB)	Remark	Pages
	D	T25D	25mm	B-0	Rock wool			
		T25DXY	25mm	B-0	Rock wool			
T50D		50mm	B-15	Rock wool				
		T75DXY	75mm	B-15	Rock wool			

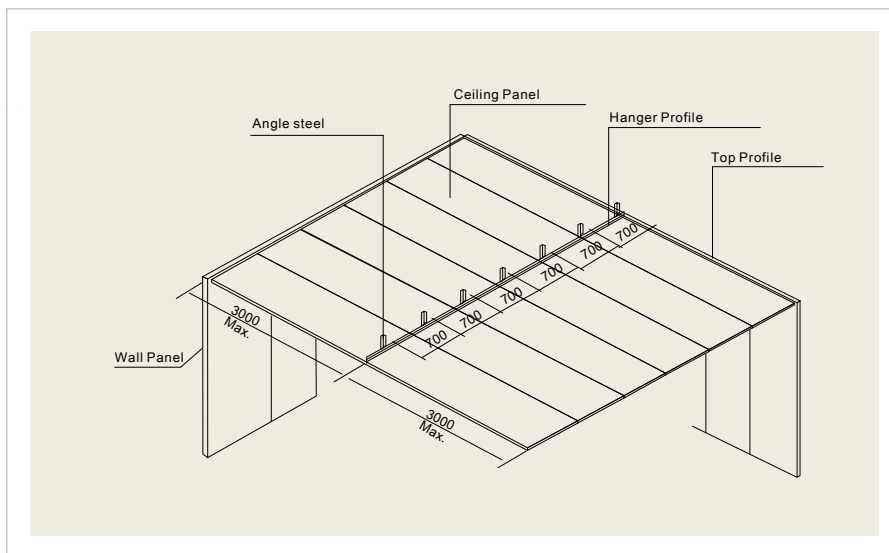
Type P & Type F & Type H ceiling

Section	Type	Model	Thickness	Fire class	Core material	RW(dB)	Remark	Pages
	P	T25P	25mm	B-0	Rock wool			
	F	T25FXY(I)	25mm	B-0	Rock wool			
		T50F(I)	50mm	B-15	Rock wool			
	H	T50H	50mm	B-15	Rock wool			

T50A ,T30A ,T25A



Installation of T50A/T30A/T25A Ceiling System

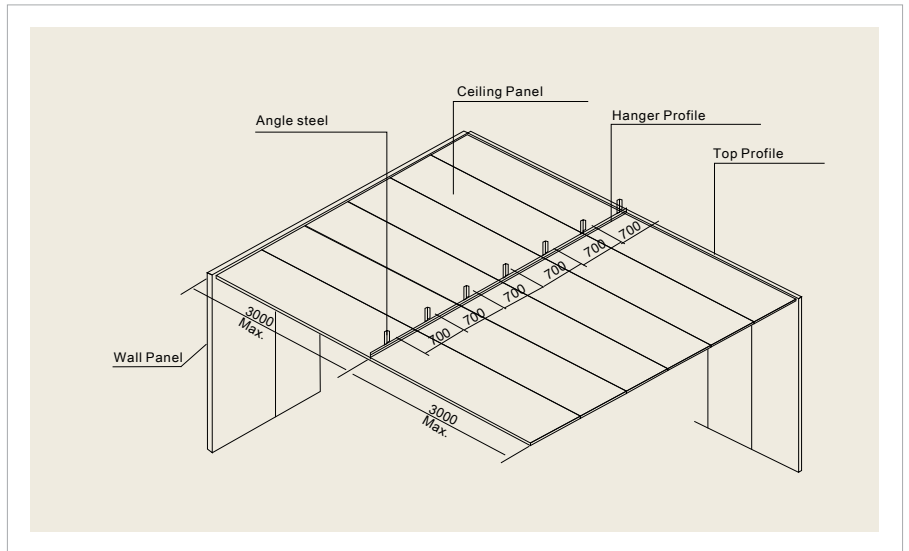


Type	T50A	T30A	T25A
Fire class	B-15	B-15/B-0	B-0
Weight	17.8kg/m ²	14.5kg/m ²	13.7kg/m ²
Sound performance	Dncw=46dB	Dnfw=51dB	Dnfw=52dB
Thermal transmittance	0.58Kcal/m ² h°C	1.10Kcal/m ² h°C	1.14Kcal/m ² h°C
Core material	Rock wool 150kg/m ³		
Surface finish	PVC film(150μ,low flame spread) or galvanized steel		
Dimension	25/30/50mm (t) ×550 mm (w) ×length (max.3000mm)		
Tolerances	Thickness ⁰ ,Width ⁰ ,Length±3		

T25A



Installation of T25A Ceiling System

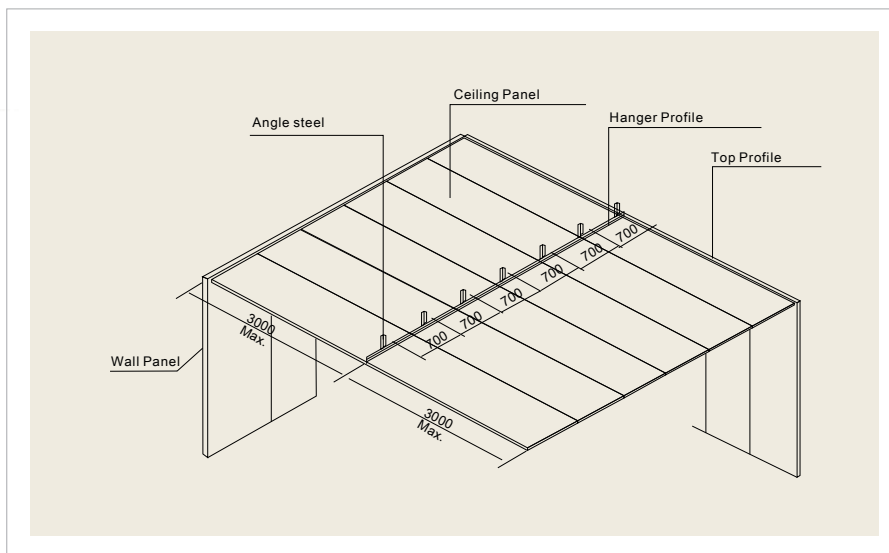


Type	T25A
Fire class	B-0
Weight	10.0kg/m ²
Sound performance	Dnfw=46dB
Thermal transmittance	3.35Kcal/m ² h°C
Core material	Aluminum honeycomb
Surface finish	PVC film(150μ,low flame spread) or galvanized steel
Dimension	25mm (t) ×550mm (w) ×length (max.3000mm)
Tolerances	Thickness ⁰ ,×Width ⁰ ,×Length±3

T30A(II), T50A(II)

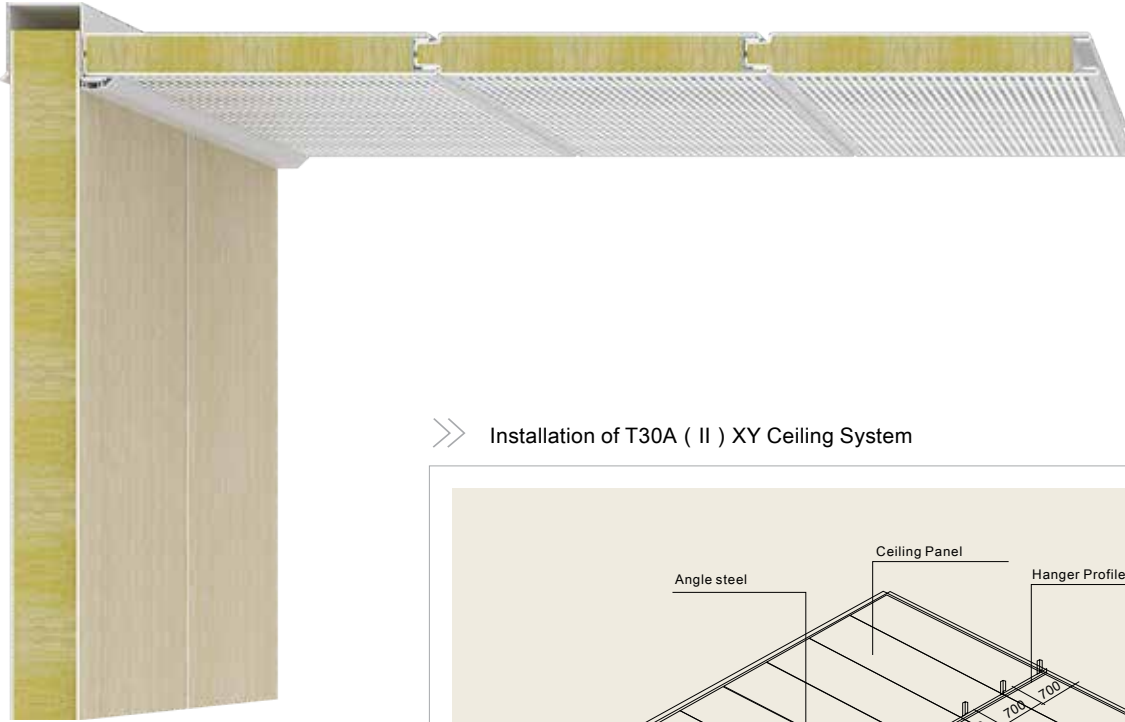


Installation of T30A (II) Ceiling System

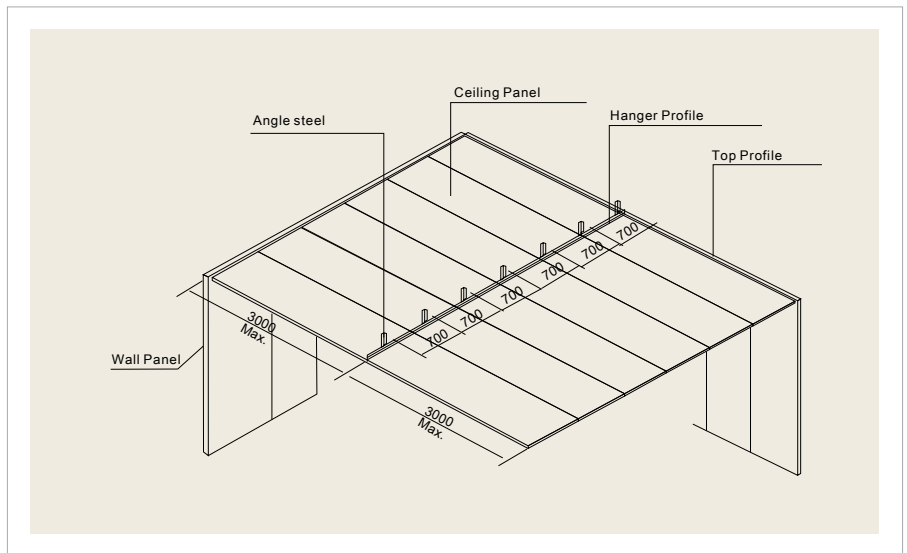


Type	T30A (II)	T50A (II)
Fire class	B-15	B-15
Weight	14.5kg/m ²	16.3kg/m ²
Sound performance	Dnfw=50dB	Dnfw=53dB
Thermal transmittance	1.10Kcal/m ² h°C	1.10Kcal/m ² h°C
Core material	Rock wool 150kg/m ³	Rock wool 120kg/m ³
Surface finish	PVC film(150μ,low flame spread) or galvanized steel	
Dimension	30/50/30/50mm (t) ×550mm (w) ×length (max.3000mm)	
Tolerances	Thickness ⁰ ,,×Width ⁰ ,,×Length±3	

T30A(II)XY, T50AXY(II)

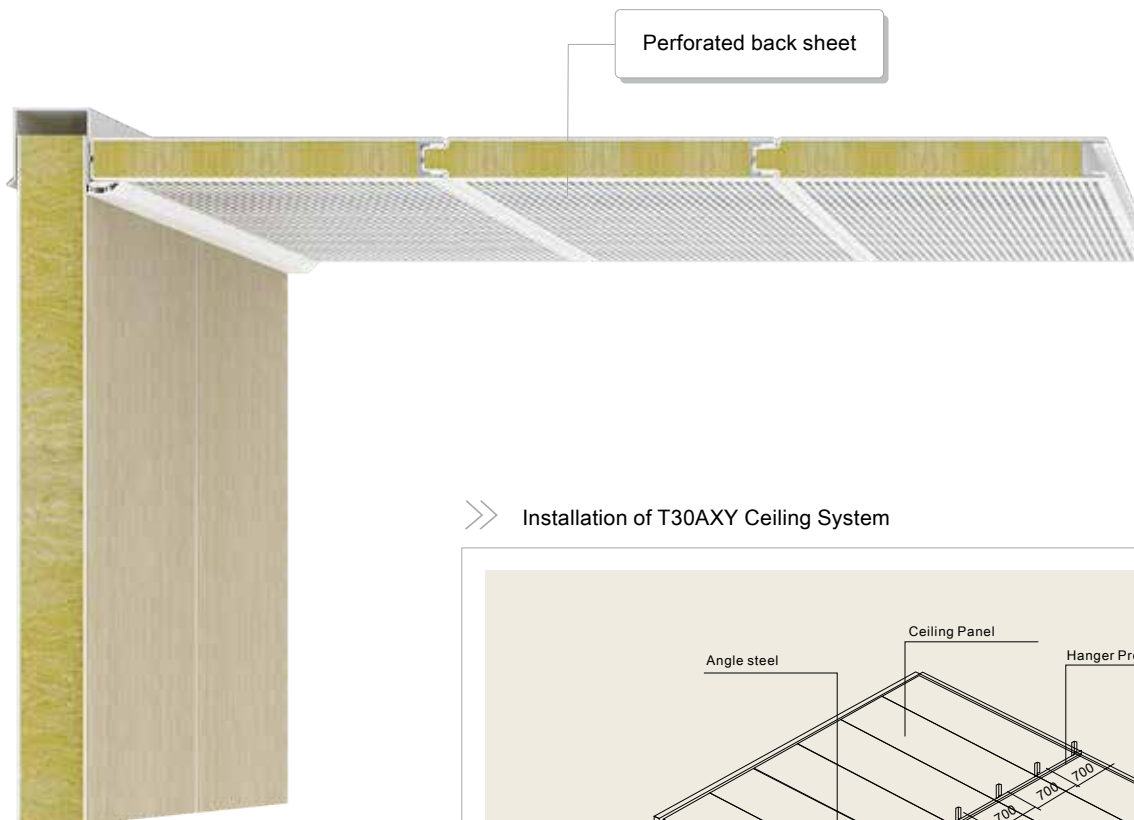


Installation of T30A (II) XY Ceiling System

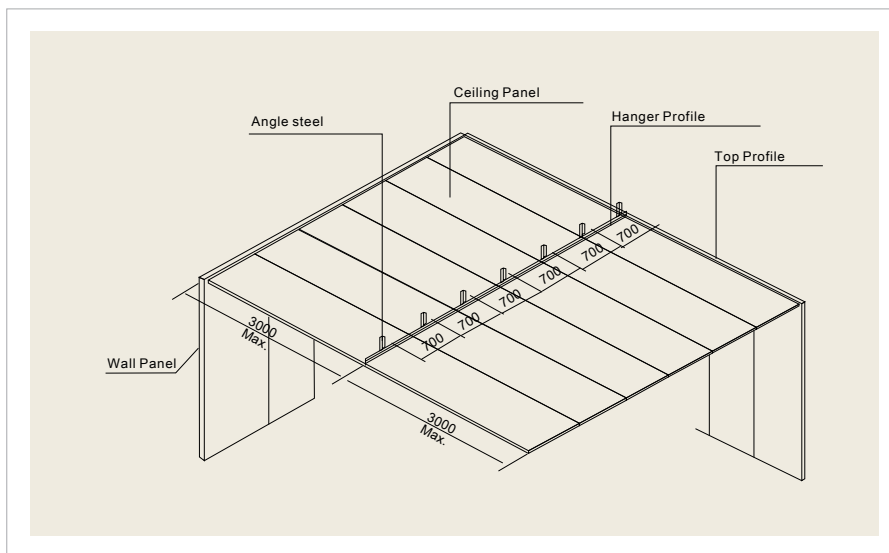


Type	T30A (II) XY	T50AXY (II)
Fire class	B-0	B-15
Weight	13.2kg/m ²	16.0kg/m ²
Sound performance	D _{nfw} =53dB/NRC=0.75	D _{nfw} =53dB/NRC=0.9
Thermal transmittance	1.13Kcal/m ² h°C	1.10Kcal/m ² h°C
Core material	Rock wool 120kg/m ³	Rock wool 120kg/m ³
Surface finish	PVC film(150μ,low flame spread) or galvanized steel	
Dimension	30/50/30/50mm (t) ×550mm (w) ×length (max.3000mm)	
Tolerances	Thickness ⁰ .,×Width ⁰ .,×Length±3	

T30AXY



Installation of T30AXY Ceiling System

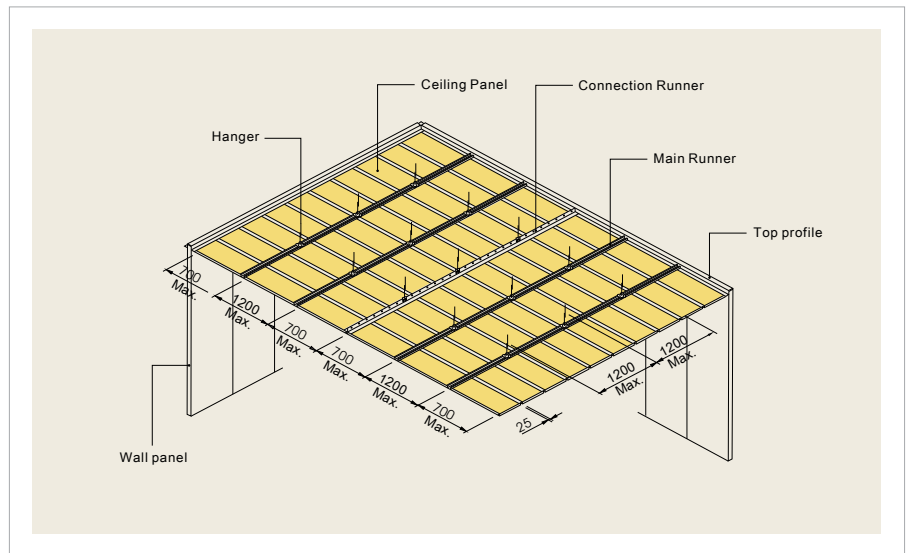


Type	T30AXY
Fire class	B-15
Weight	14.2kg/m ²
Sound performance	Dnfw=53dB/NRC=0.8
Thermal transmittance	1.13Kcal/m ² h°C
Core material	Rock wool 150kg/m ³
Surface finish	PVC film(150μ,low flame spread) or galvanized steel
Dimension	30mm (t) ×550mm (w) ×length (max.3000mm)
Tolerances	Thickness ⁰ ₋₁ ×Width ⁰ ₋₁ ×Length±3

T25D, T50D

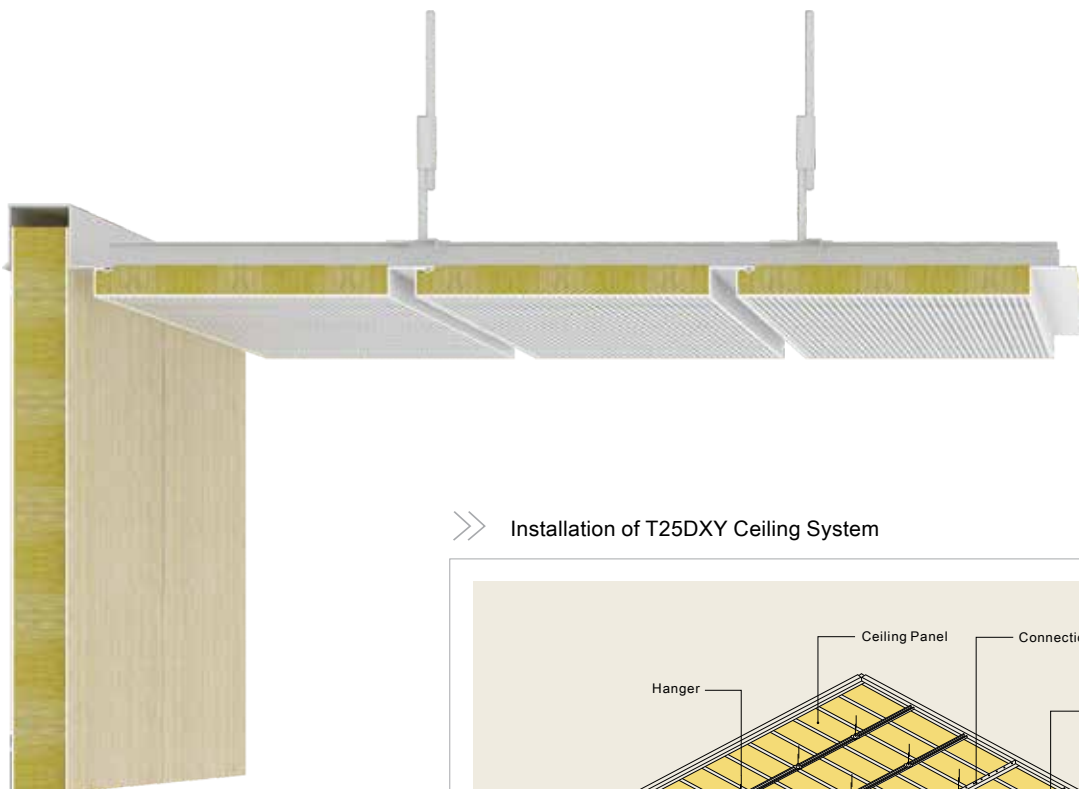


Installation of T25D Ceiling System

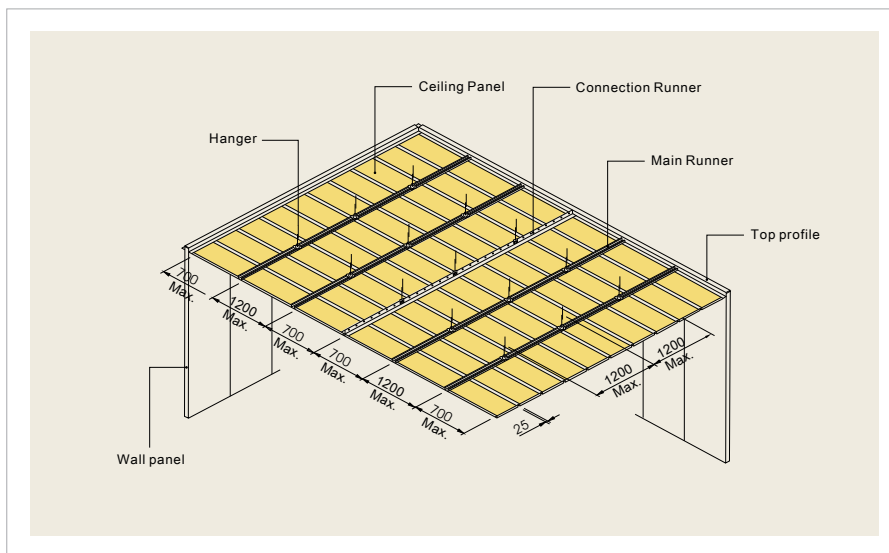


Type	T25D	T50D
Fire class	B-0	B-15
Weight	7.7kg/m ²	9.5kg/m ²
Sound performance	Dncw=42dB	Dnfw=46dB
Thermal transmittance	1.36Kcal/m ² h°C	0.4Kcal/m ² h°C
Core material	Rock wool 80kg/m ³	Rock wool 80kg/m ³
Surface finish	PVC film(150μ,low flame spread) or galvanized steel	
Dimension	25/25/50mm (t) ×300mm (w) ×length (max.3900mm)	
Tolerances	Thickness ⁰ ,×Width ⁰ ,×Length±3	

T25DXY

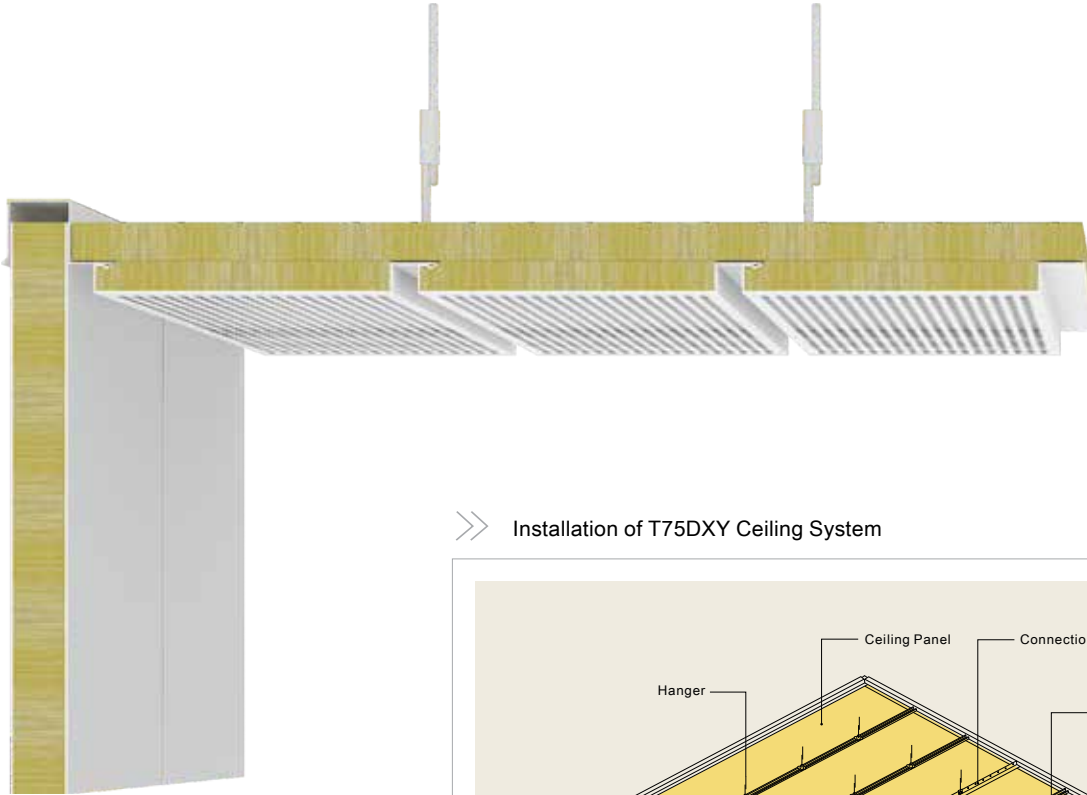


Installation of T25DXY Ceiling System

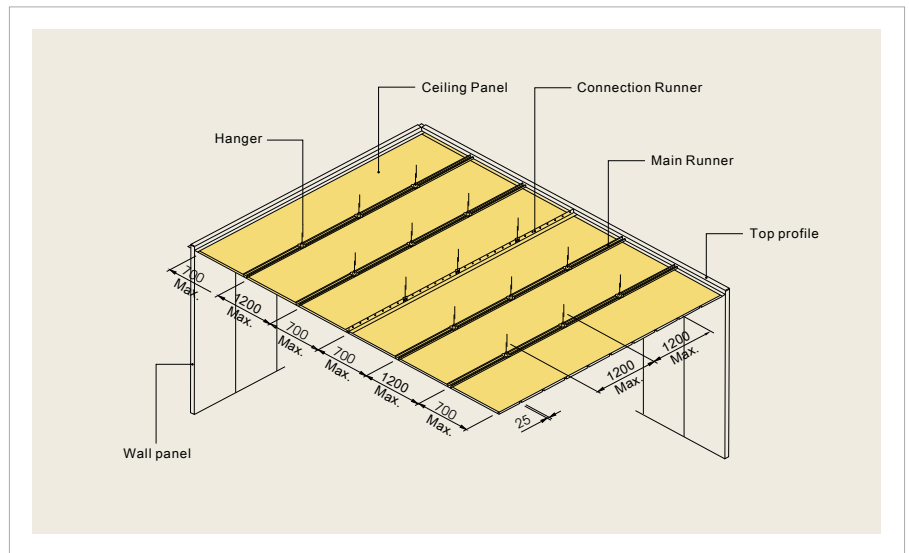


Type	T25DXY
Fire class	B-0
Weight	7.4kg/m ²
Sound performance	Rw=45dB/NRC=0.6
Thermal transmittance	1.36Kcal/m ² h°C
Core material	Rock wool 80kg/m ³
Surface finish	PVC film(150μ,low flame spread) or galvanized steel
Dimension	25/25/50mm (t) ×300mm (w) ×length (max.3900mm)
Tolerances	Thickness ⁰ ,,×Width ⁰ ,,×Length±3

T75DXY



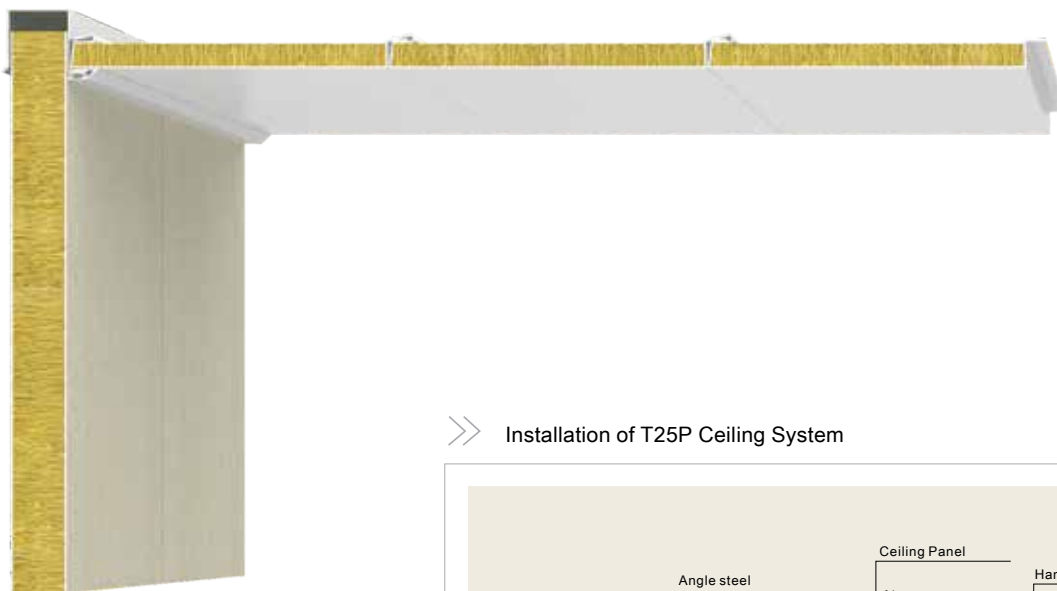
Installation of T75DXY Ceiling System



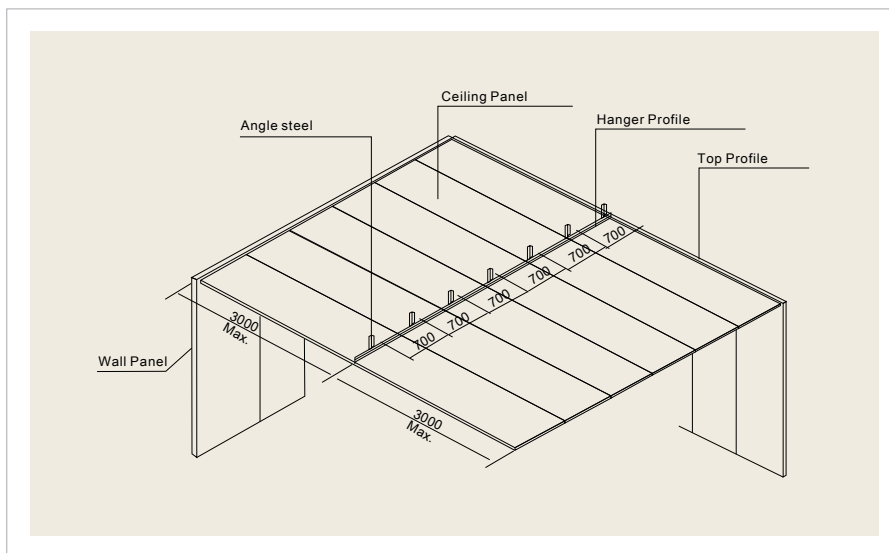
Type	T75DXY
Fire class	B-15
Weight	15.2kg/m ²
Sound performance	NRC=0.85
Thermal transmittance	0.40Kcal/m ² h°C
Core material	Rock wool 80/150kg/m ³
Surface finish	PVC film(150μ,low flame spread) or galvanized steel
Dimension	75mm (t) ×300mm (w) ×length (max.3900mm)
Tolerances	Thickness ⁰ ,×Width ⁰ ,×Length±3



T25P



Installation of T25P Ceiling System

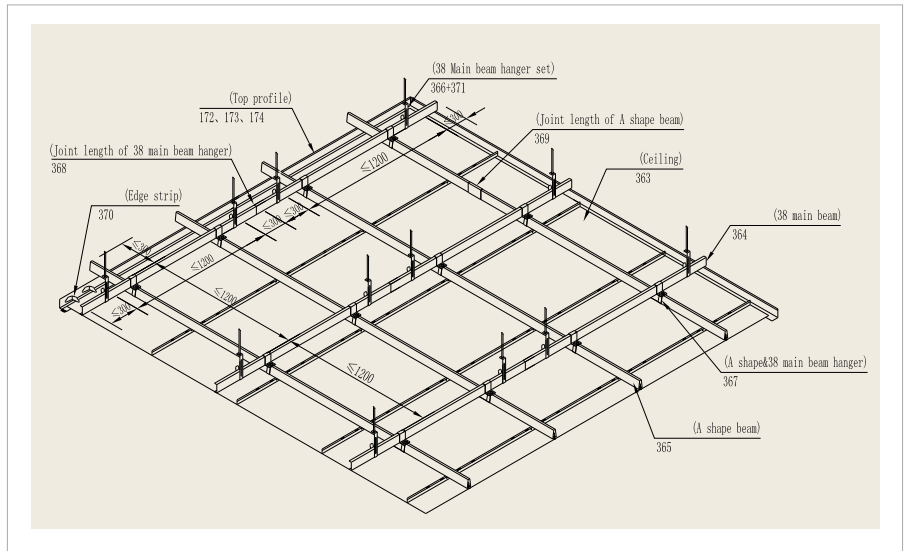


Type	T25P
Fire class	B-0
Weight	9.7kg/m ²
Sound performance	Dncw=44dB/Rw=51dB
Thermal transmittance	1.36Kcal/m ² h°C
Core material	Rock wool 80kg/m ³
Surface finish	PVC film(150μ,low flame spread) or galvanized steel
Dimension	25mm (t) ×300mm (w) ×length (max.2400mm)
Tolerances	Thickness ⁰ ,,×Width ⁰ ,,×Length±3

T50F(I)



Installation of T50F(I) Ceiling System

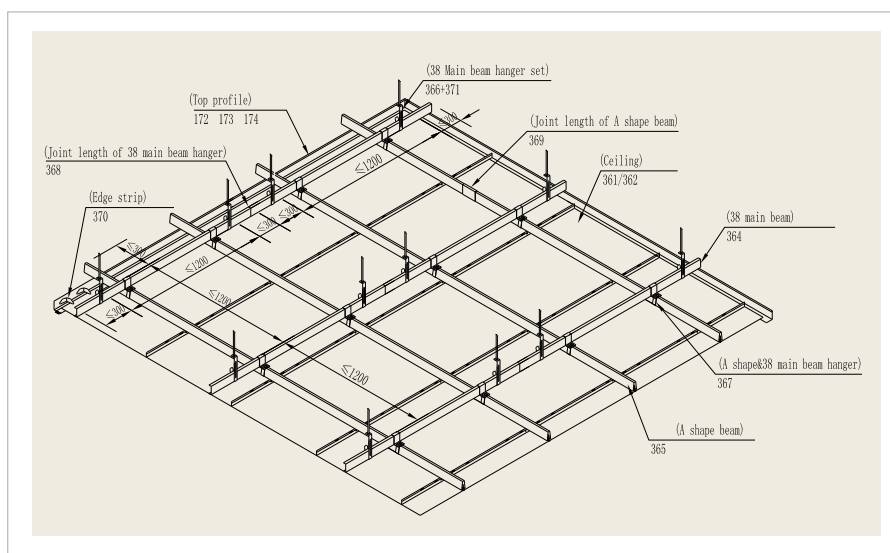


Type	T50F(I)
Fire class	B-15
Weight	8.8kg/m ²
Sound performance	Dnfw=50dB
Thermal transmittance	0.89Kcal/m ² h°C
Core material	Rock wool 80kg/m ³
Surface finish	PVC film(150μ,low flame spread) or galvanized steel
Dimension	50mm (t) ×600 mm (w) ×600 mm (l)
Tolerances	Thickness ⁰ ₋₁ ×Width ⁰ ₋₁ ×Length±3

T25FX(Y)I

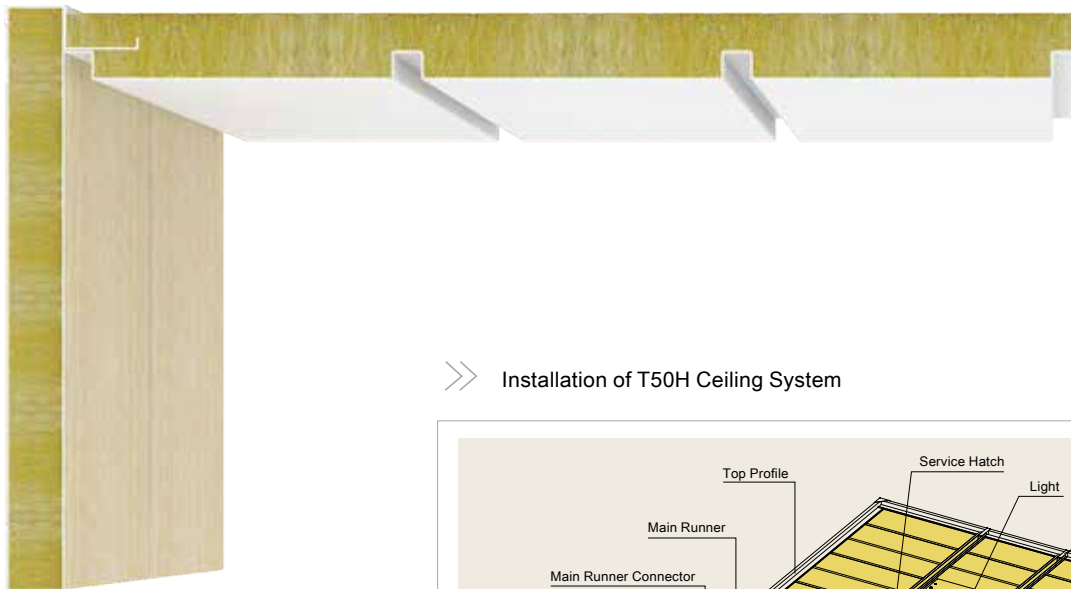


Installation of T25FX(Y)I Ceiling System

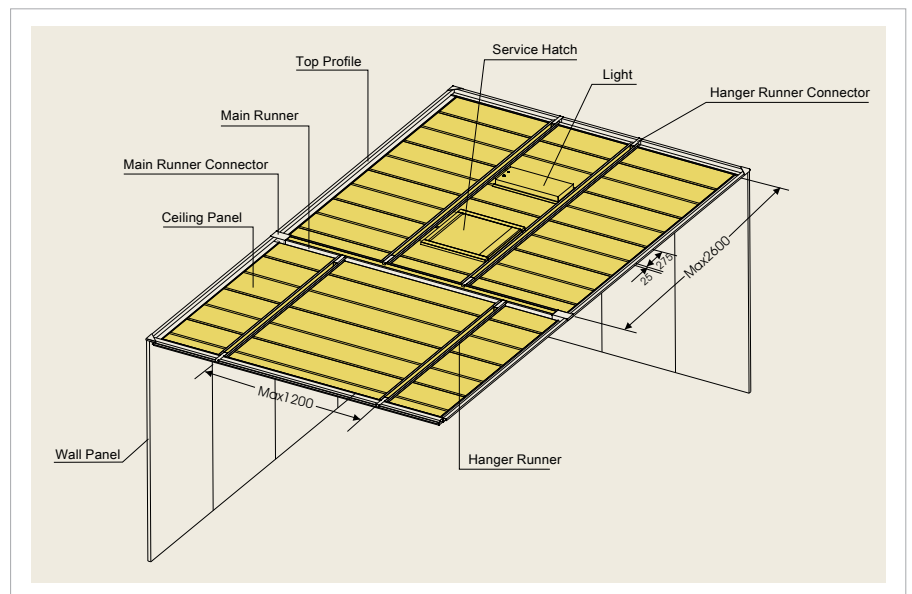


Type	T25FX(Y)I
Fire class	B-0
Weight	6.8kg/m ²
Sound performance	Dnfw=28dB
Thermal transmittance	1.36Kcal/m ² h°C
Core material	Rock wool 80kg/m ³
Surface finish	PVC film(150μ,low flame spread) or galvanized steel
Dimension	25/50mm (t) ×600 mm (w) ×600 mm (l)
Tolerances	Thickness ⁰ .,×Width ⁰ .,×Length±3

T50H

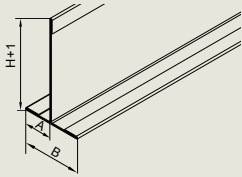
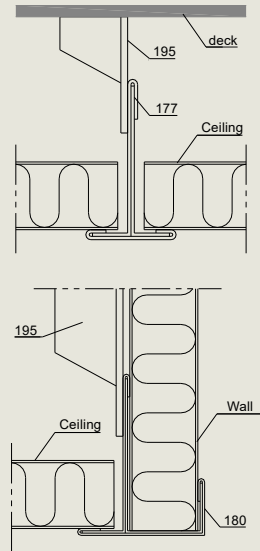
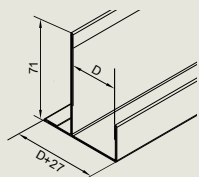
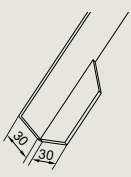
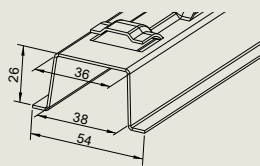
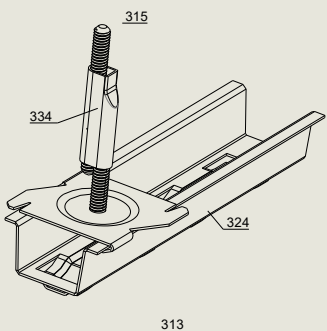
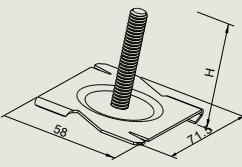
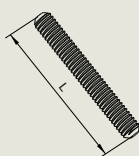
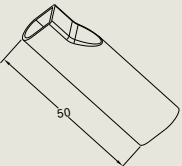


Installation of T50H Ceiling System



Type	T50H
Fire class	B-15
Weight	9.5kg/m ²
Sound performance	Dnfw=49dB
Thermal transmittance	1.36Kcal/m ² h°C
Core material	Rock wool 80kg/m ³
Surface finish	PVC film(150μ, low flame spread) or galvanized steel
Dimension	50mm (t) ×300mm (w) ×length (max.2400mm)
Tolerances	Thickness ⁰ , ×Width ⁰ , ×Length±3

Profile List

No.	Shape	Parameter	Assembly
177		t=1.2mm/t=0.6mm L=3000mm 2.00kg/m PVC Coated Steel	
180		t=1.2mm/t=0.6mm L=3000mm D=30 2.54kg/m D=25 2.47kg/m PVC Coated Steel	
195		L30X30X3 0.59kg/m Angle Steel	
324		t=1.0mm L=4000mm 0.81kg/m Galvanized Steel	
313		t=1.0mm 0.09kg/pc Galvanized Steel	
315		M8 Galvanized Bolt	
334		t=1.0mm 0.09kg/pc Galvanized Steel	

Profile List

No.	Shape	Parameter	Assembly
328		t=0.6mm L=4000mm 0.95kg/m PVC Coated Steel	
318		t=0.6mm L=4000mm 0.60kg/m PVC Coated Steel	
320		t=0.6mm 0.02kg/m Galvanized Steel	